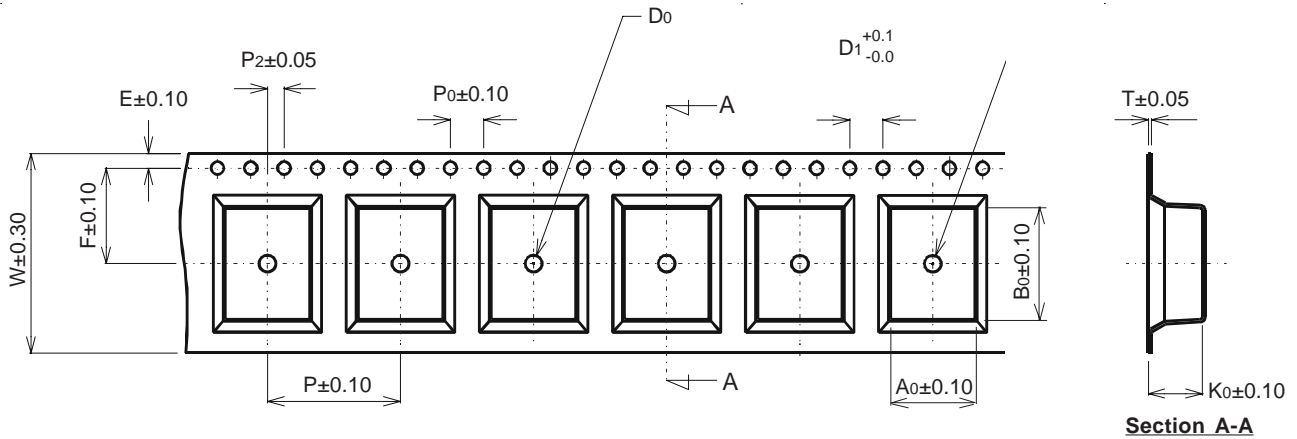




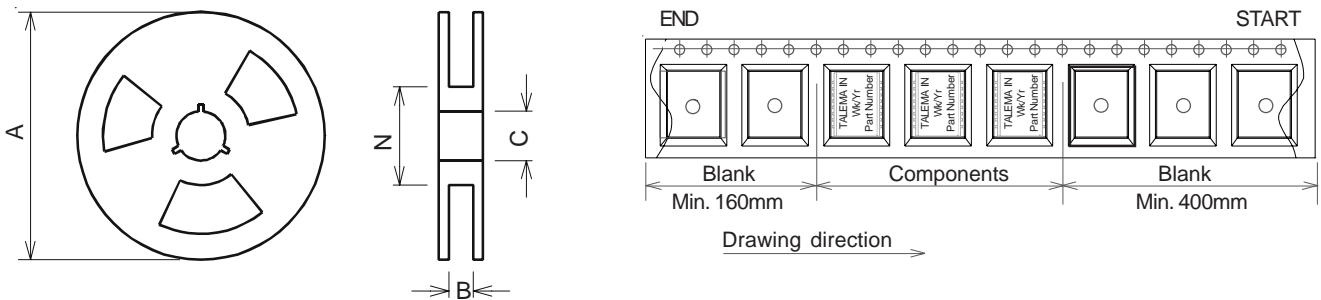
## Tape & Reel Packaging and Dimensions

**Dimensions for Carrier Tape (Unit : mm)**



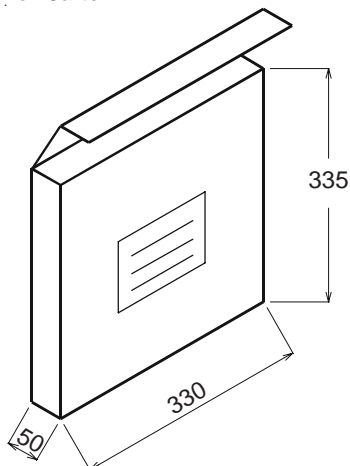
Type	Dimensions in mm												Reel Size	Quantity (Pcs/Reel)	Quantity (Reel/Cased)
	W	F	E	P <sub>2</sub>	P <sub>0</sub>	D <sub>0</sub>	D <sub>1</sub>	P	A <sub>0</sub>	B <sub>0</sub>	T	K <sub>0</sub>			
82312	24.00	11.50	1.75	2.00	4.00	Ø1.50	Ø1.50	16.00	10.20	13.35	0.35	6.55	330x24	600	5/3000
FCJ	24.00	11.50	1.75	2.00	4.00	Ø1.50	Ø1.50	16.00	10.20	13.35	0.35	6.55	330x24	600	5/3000
TCJ	24.00	11.50	1.75	2.00	4.00	Ø1.50	Ø1.50	16.00	10.20	13.35	0.35	6.55	330x24	600	5/3000

**Reel Dimensions (Unit : mm)**



Reel Dimensions in mm				
Type	A	B	C	N
330 x 24	330	24	20.2	100

**Inner Carton**



**Outer Carton**

