

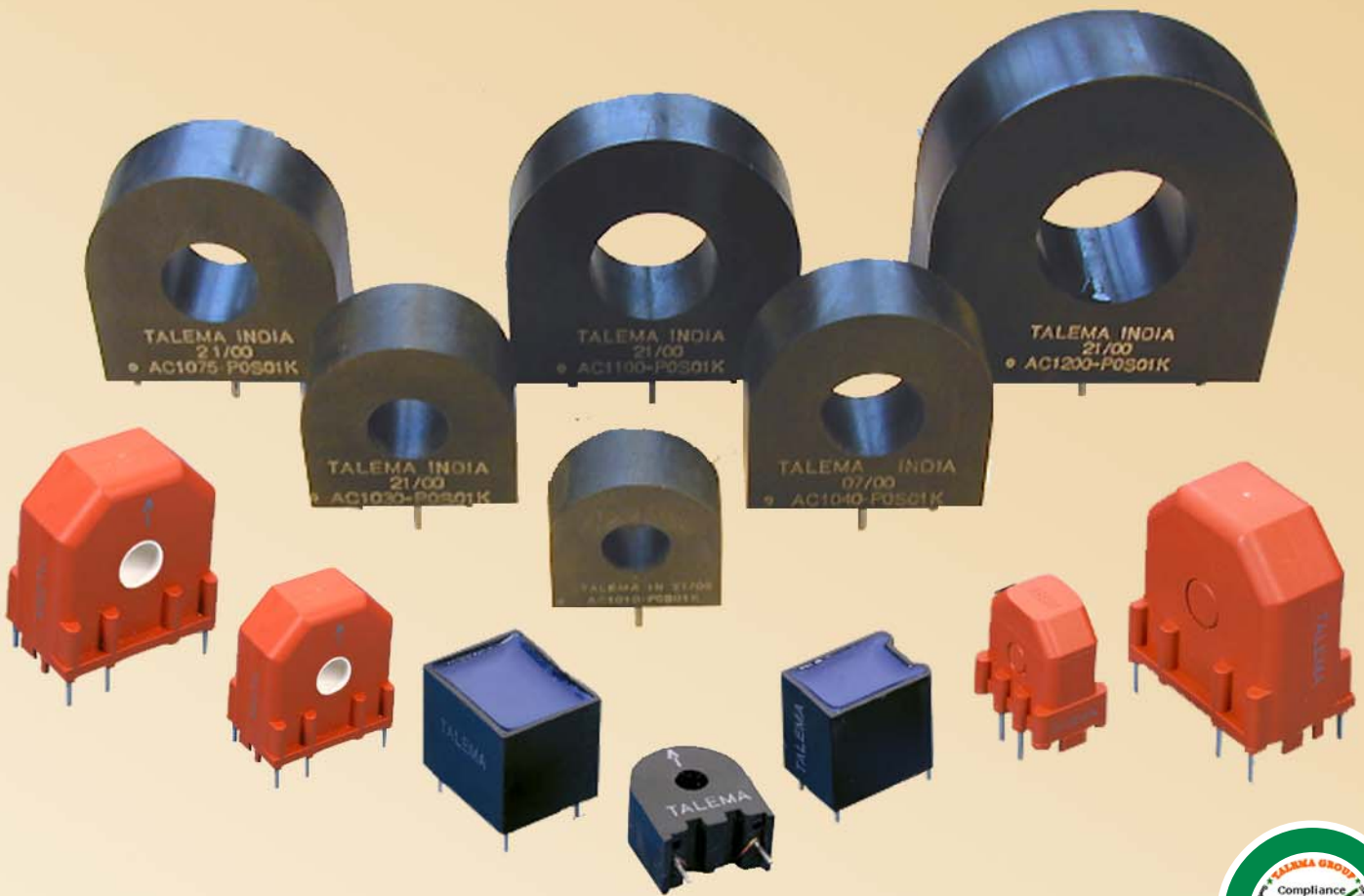


**nt**  
magnetics

**nuvotem**

- Mains 50/60Hz Current Transformers
- Primary Current Ratings to 200 Amps
- 20kHz to 200kHz Current Sense Inductors and Transformers
- Fully RoHS Compliant

## Current Sense Transformers and Inductors



### Sales & Marketing, Design and Manufacturing Facilities

<http://www.talema-nuvotem.com>

#### Eastern Europe & Czech Republic

NT MAGNETICS s.r.o.  
Chebská 27  
322 00 Plzeň  
Tel: Int. + 420 377 - 338 351  
Fax: Int. + 420 377 - 338 350  
Email: [talema@talema.cz](mailto:talema@talema.cz)  
Web Site: [www.ntmagnetics.cz](http://www.ntmagnetics.cz)

#### Germany

TALEMAELEKTRONIK GMBH  
Sembdnerstr. 5, Postfach 2523  
82110 Germering  
Tel: Int. + 49 89 - 841 00 - 0  
Fax: Int. + 49 89 - 841 00 25  
Email: [info@talema.de](mailto:info@talema.de)

#### Ireland

NUVOTEMTEO.  
Crollý  
Co. Donegal  
Tel: Int. + 353 74 - 954 8666  
Fax: Int. + 353 74 - 954 8139  
Email: [info@nuvotem.com](mailto:info@nuvotem.com)

#### India

TALEMA ELECTRONIC PVT. LTD.  
Opposite the SIDCO Industrial Estate  
Gins Towers  
4/5S.H/1, Omalur Main Road  
Salem - 636 004, Tamil Nadu  
Tel: Int. + 91 427 - 244 1325  
Fax: Int. + 91 427 - 243 0034  
E-mail: [talema@talemaindia.com](mailto:talema@talemaindia.com)  
Web Site: [www.talemaindia.com](http://www.talemaindia.com)



**TALEMA PROFILE**

Founded in 1975, The TALEMA International Group has established itself as a world leader in the manufacture of toroidal transformers and related magnetic components. Our strong technical engineering expertise has contributed to the growth of our current workforce to over 1,200 employees in manufacturing locations in the Czech Republic and India.

Over the years The Talema Group has succeeded in designing, producing and delivering in excess of 50 million transformers to its customers. The recent incorporation of xDSL technology into our extensive range of Telecom and LAN magnetics offerings, such as ISDN, 10Base-T, Ethernet transformers for 100/1000Base-T, has broadened our market offering to an even higher level.

**QUALITY**

The TALEMA Group has a total commitment to quality and employs Lean Six Sigma training for engineering, production and administrative staff to help achieve a goal of zero defects. All facilities maintain very stringent Quality Control and Quality Assurance procedures and are certified to and manufacture in accordance with ISO-9001:2000, TS-16949:2002 and meet a broad range of International Standards including UL, VDE, IEC, and EN.

Performance has been proven in the many design in's of our products. The fact that we maintain a ship-to-stock vendor rating with over 200 national and international companies is, to us, the best testimonial of our commitment to quality.

**ENVIRONMENT**

All TALEMA International Group manufacturing facilities are RoHS compliant and all chokes, inductors and HF components are produced in an Environment Management System (EMS) facility certified to ISO-14001:2004.



**CONTENTS**

	<u>Page Nr.</u>
• ASM Series - Designed for mains frequencies of 50/60Hz with primary current ratings from 1 to 100 Amps	- 3
• AS Series - Low cost Current Sensors designed for frequencies from 20kHz to 200kHz, Primary rating to 30 Amps	- 4 - 5
• AC Series Quick Reference Chart for current sensors for 50/60Hz and primary current ratings from 0.5 to 200 Amps	- 6
• AC1005 - 50/60Hz, primary current to 5 Amps nominal, 60 Amps max.	- 7
• AC1010 - 50/60Hz, primary current to 10 Amps nominal, 60 Amps max.	- 8
• AC1015 - 50/60Hz, primary current to 15 Amps nominal, 60 Amps max.	- 9
• AC1020 - 50/60Hz, primary current to 20 Amps nominal, 60 Amps max.	- 10
• AC1025 - 50/60Hz, primary current to 25 Amps nominal, 75 Amps max.	- 11
• AC1030 - 50/60Hz, primary current to 30 Amps nominal, 75 Amps max.	- 12
• AC1040 - 50/60Hz, primary current to 40 Amps nominal, 125 Amps max.	- 13
• AC1050 - 50/60Hz, primary current to 50 Amps nominal, 125 Amps max.	- 14
• AC1060 - 50/60Hz, primary current to 60 Amps nominal, 200 Amps max.	- 15
• AC1075 - 50/60Hz, primary current to 75 Amps nominal, 200 Amps max.	- 16
• AC1100 - 50/60Hz, primary current to 100 Amps nominal, 250 Amps max.	- 17
• AC1150 - 50/60Hz, primary current to 150 Amps nominal, 500 Amps max.	- 18
• AC1200 - 50/60Hz, primary current to 200 Amps nominal, 500 Amps max.	- 19
• <b>Authorized TALEMA Sales Offices and Representatives</b>	<b>- 21</b>

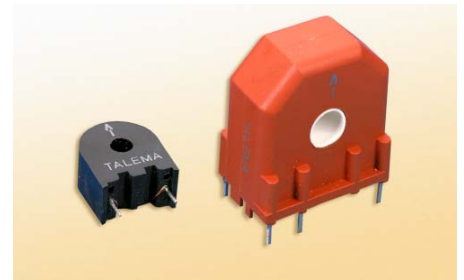
## ASM Series • 50/60 Hz Current Sensor

**ASM Series** current sensors operate as the sealed secondary of a current transformer while the conductor carrying the current to be measured functions as a one turn primary. Measurement accuracy can be improved by increasing the number of primary turns. Applications include detection of branch circuit overload and load drop or shutdown.

**Features**

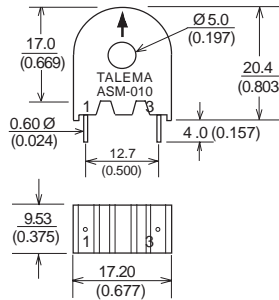
- Fully encapsulated for optimal PC board mtg.
- Mains frequency of 50/60 Hz
- Primary current ratings from 1 to 100 Amps
- Primary to secondary isolated to 2500 VAC
- Operating temperature range: -40° C to +120°C

- Competitive pricing due to high volume production
- Manufactured in an ISO-9001:2000, TS-16949:2002 and ISO-14001:2004 certified Talema facility
- Fully RoHS compliant

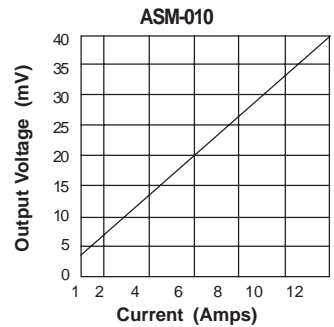


Part Number	Current Range	Output Voltage Tolerance
ASM-010	1 - 10 Amps	±10%
ASM-020	1 - 20 Amps	±10%
ASM-030	1 - 30 Amps	±10%
ASM-050	5 - 50Amps	±10%
ASM-075	5 - 75 Amps	±10%
ASM-100	5 - 100 Amps	±10%

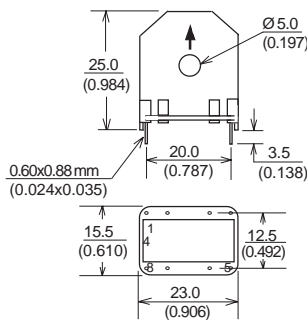
**ASM-010**



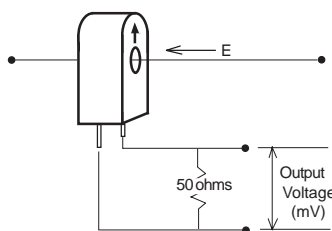
**Typical Response**



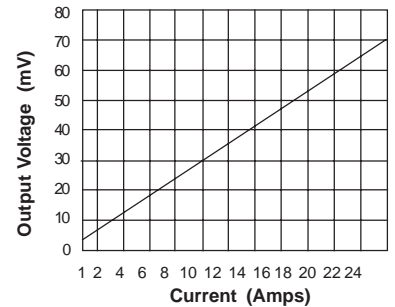
**ASM-020**



**ASM-010 & ASM-020**

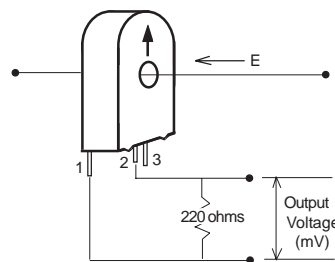
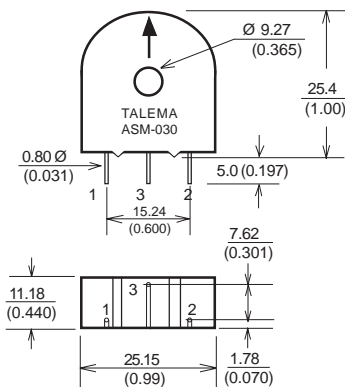


**ASM-020**

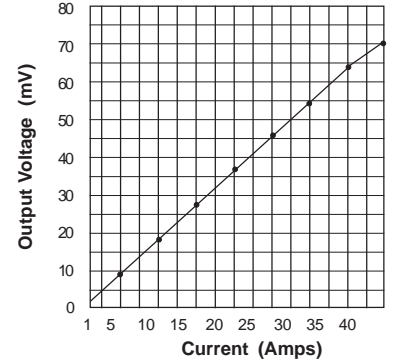


Note: Pins #1 and 8 are Blank

**ASM-030**

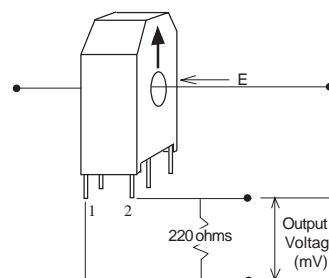
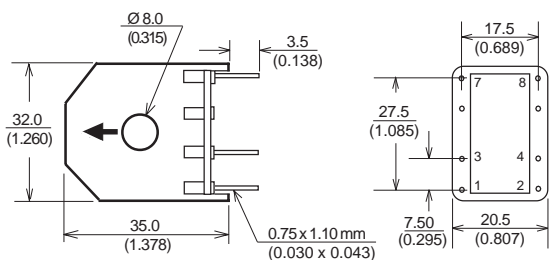


**ASM-030**

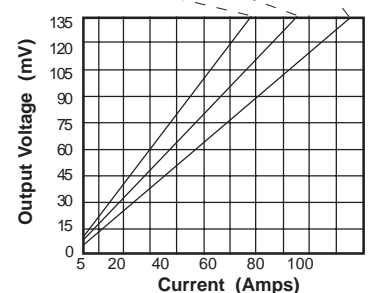


Note: Pin #3 is Blank

**ASM-050, ASM-075 & ASM-100**



**ASM-050, ASM-075 & ASM-100**





## AS Series • Current Sense Inductors & Transformers

**AS Series** Current Sensors are designed as a low cost method of controlling, monitoring or measuring AC currents. The sensors serve as feedback elements between the output and pulse control circuitry providing accurate regulation of switch mode power supplies.

### Features

- Fully encapsulated for optimal PC board mounting
- Frequency range from 20kHz to 200kHz
- Primary current rating to 30 Amps
- Primary to secondary isolated to 2500 VAC
- Meets VDE norms
- Optimum performance over designated current and frequency range
- Competitive pricing due to high volume production
- Manufactured in an ISO-9001:2000, TS-16949:2002 and ISO-14001:2004 certified facility
- Fully RoHS compliant



### Applications

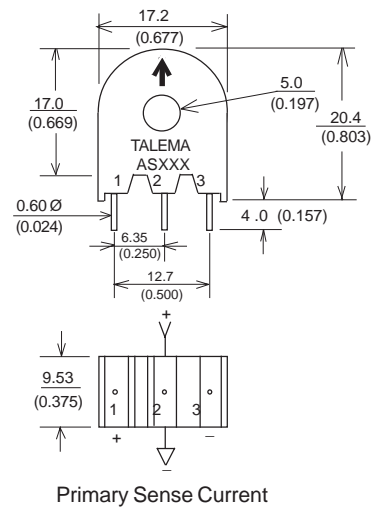
Isolated current feed-back signal in Switch Mode Power Supplies • Motor current load/overload • Lighting • Switch Controls Ultra-sound current • High resolution sonar current • Isolated bi-directional current sensor with full wave bridge rectifier

### Electrical Specifications at 25°C

Part Number	Prim./Sec. Ratio	$L_{sec}^{(1)}$ (mH Min)	$DCR_{sec}$ (Ohms Max.)	Sec. Term. <sup>(2)</sup> Resistance (Ohms Nom.)	$I_{sec}^{(3)}$ Max.	Volt $\mu S^{(4)}$ Max.	Schematic
AS-100	1:50	6	0.6	50	300mA	175	
AS-101	1:100	25	1.1	100	150mA	350	
AS-102	1:200	100	4.5	200	75mA	700	
AS-103	1:300	250	10.0	300	50mA	900	
AS-104	1:500	700	25.0	500	30mA	1500	
AS-105	1:750	1682	43.0	750	40mA	3750	
AS-110	1:50CT	6	0.3 / 0.3	25 + 25	300mA	175	
AS-111	1:100CT	25	0.55 / 0.55	50 + 50	150mA	350	
AS-112	1:200CT	100	2.25 / 2.25	100 + 100	75mA	700	
AS-113	1:300CT	250	5.0 / 5.0	150 + 150	50mA	900	
AS-114	1:500CT	700	12.5 / 12.5	250 + 250	30mA	1500	
AS-115	1:750CT	1682	21.5 / 21.5	375 + 375	40mA	3750	

### Notes:

- 1)  $L_{sec}$ : Secondary inductance tested at 10kHz and 10mV for 1:50 through 1:500 Prim./Sec. ratios and 1kHz/10mV for Prim./Sec. ratio of 1:750
- 2) This nominal termination resistance value will yield approximately 1.0V of output for each amp of current in a single turn sense line. The output Voltage/Ampere of these devices can be increased or decreased linearly over a restricted temperature range by adjusting the terminating resistance.
- 3) For Prim./Sec. Ratios of 1:50 through 1:500, the  $I_{sec}$  value corresponds to a maximum primary current of 15 Amp-turns rms while the  $I_{sec}$  value for the ratio of 1:750 corresponds to a max. primary current of 30 Amp-turns rms.
- 4)  $V_{\mu S} = R_t \times I_s \times \frac{1}{2F}$   
 $R_t$  (Ohms): Recommended Terminating Resistance  
 $I_s$  (A): Secondary Current  
 $F$  (Hz): Frequency
- 5) Operating Temperature Range: -40°C to +120°C
- 6) Pin 2 is on Center-Tapped (CT) versions only

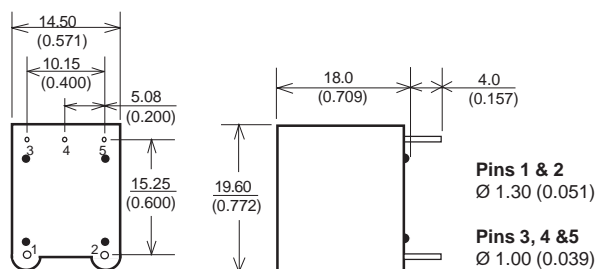


## AS Series • Current -Sense Inductors & Transformers

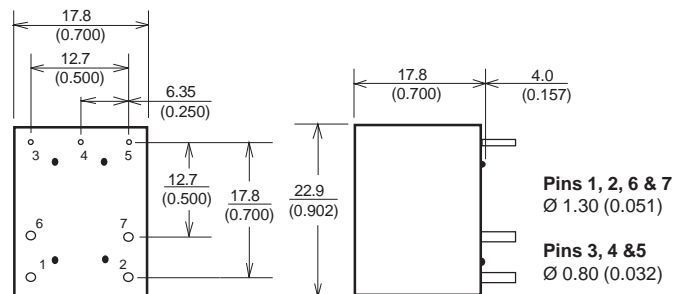
### Electrical Specifications at 25°C

Part Number		Prim./Sec. Ratio	L <sub>sec</sub> <sup>(1)</sup> (mHMin.)	DCR <sub>sec</sub> (Ohms Max.)	Sec. Term. <sup>(2)</sup> Resistance (Ohms Nom.)	I <sub>sec</sub> <sup>(3)</sup> Max.	Volt μS <sup>(4)</sup> Max.	Schematic
Type 1	Type 2							
AS-200	AS-300	1:50	5	0.65	50	300mA	175	
AS-201	AS-301	1:100	20	1.30	100	150mA	350	
AS-202	AS-302	1:200	80	4.50	200	75mA	700	
AS-210	AS-310	1:50CT	5	0.65	25 + 25	300mA	175	
AS-211	AS-311	1:100CT	20	1.30	50 + 50	150mA	350	
AS-212	AS-312	1:200CT	80	4.50	100 + 100	75mA	700	
	AS-320	1:50	5	0.65	50	300mA	175	
	AS-321	1:100	20	1.30	100	150mA	350	
	AS-322	1:200	80	4.50	200	75mA	700	
	AS-330	1:50CT	5	0.65	25 + 25	300mA	175	
	AS-331	1:100CT	20	1.30	50 + 50	150mA	350	
	AS-332	1:200CT	80	4.50	100 + 100	75mA	700	

**Type 1**



**Type 2**



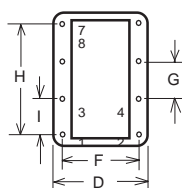
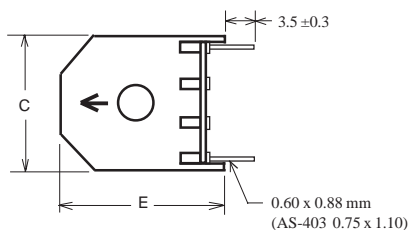
### Features

- Meets requirements of IEC 950 and VDE norms
- UL94, VO recognized materials
- Operating frequency range from 20kHz to 200kHz
- Operating Temperature Range: -40°C to +120°C
- Primary to secondary isolated to 4000 VAC
- Primary current rating to 80 Amps

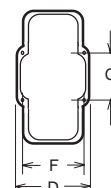
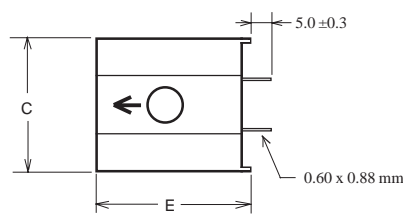
### Electrical Specifications at 25°C

Part Number	Pri./Sec. Ratio	I <sub>p</sub> Amps	Volt μS (Max.)	Application	Schematic	Case Type	Dimensions							
							C	D	E	F	G	H	I	Hole
AS-400	1:100	1	350	Switching		A	17.8	12.8	20.0	10.0	5.0	15.0	5.0	--
AS-401	1:100	2	550	Switching		A	23.0	15.5	25.0	12.5	10.0	20.0	5.0	--
AS-402	1:100	5	1500	Switching		B	32.5	18.0	35.5	15.0	12.5	--	--	--
AS-403	1:100	10	1500	Switching		A	32.0	20.5	35.0	17.5	12.5	27.5	7.5	--
AS-404	1:100	50	1500	Switching		B	32.5	18.0	35.5	15.0	12.5	--	--	Ø 8
AS-405	1:500	50	2700	Switching		A	23.0	15.5	25.0	12.5	10.0	20.0	5.0	Ø 5
AS-406	1:500	65	4200	Switching		A	27.0	18.0	30.0	15.0	12.5	22.5	5.0	Ø 5
AS-407	1:500	80	7500	Switching		B	32.5	18.0	35.5	15.0	12.5	--	--	Ø 8

**Type A**



**Type B**







## AC Series • Current Transformer Quick Reference Guide

### Low Cost 50/60Hz Current Transformers

#### Applications

- Sensing Overload Current
- Ground fault detection
- Metering
- Analog to Digital Circuits



#### Features

- Excellent quality at extremely competitive price due to high volume production
- Manufactured in an ISO-9001:2000, TS-16949:2002 and ISO-14001:2004 certified Talema facility
- Fully RoHS compliant



#### Electrical Specifications @ 20°C ambient

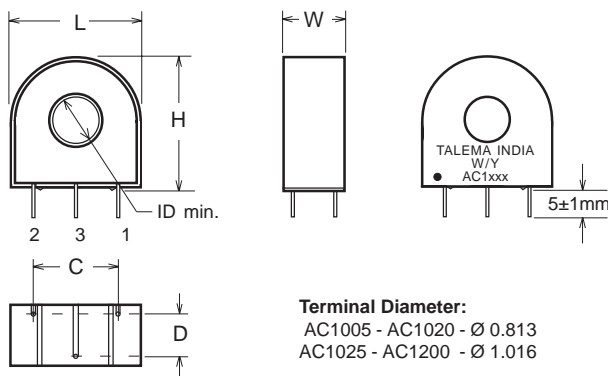
### AC Series • Standard Accuracy Current Transformers

Part No.	I <sub>p</sub> Amps	Turns Ratio	Terminating Resistor		DCR (Ohms) Nominal	RCF @ 10%	Volts/Amp @ rated I <sub>p</sub> for various loads (Ohms)				I <sub>ex</sub> µArms	V <sub>ex</sub> Vrms	Net Weight (grams)	Case Dimensions - mm					
			Ohms	Watt			100	500	2K	5K				L	ID	H	W	C	D
AC1005	5	1000:1	100	0.0025	41.80	1.010	0.10	0.46	1.43	2.01	237	0.66	16.3	23.80	9.50	23.80	11.12	15.24	7.62
AC1010	10	1000:1	100	0.0100	41.80	1.010	0.10	0.45	1.10	1.42	386	1.32	16.3	23.80	9.50	23.80	11.12	15.24	7.62
AC1015	15	1000:1	100	0.0230	41.80	1.010	0.10	0.45	0.90	1.12	513	1.99	16.3	23.80	9.50	23.80	11.12	15.24	7.62
AC1020	20	1000:1	100	0.0400	41.80	1.010	0.10	0.43	0.76	0.93	628	2.65	16.3	23.80	9.50	23.80	11.12	15.24	7.62
AC1025	25	1000:1	100	0.0630	48.00	1.020	0.10	0.47	1.06	1.31	566	3.65	35.5	30.20	11.40	30.20	14.30	20.32	10.16
AC1030	30	1000:1	100	0.0900	48.00	1.020	0.10	0.47	0.95	1.16	644	4.38	35.5	30.20	11.40	30.20	14.30	20.32	10.16
AC1040	40	1000:1	100	0.1600	49.3	1.026	0.10	0.46	0.87	1.05	914	5.82	47.3	34.90	14.60	34.90	14.30	25.40	10.16
AC1050	50	1000:1	100	0.2500	49.3	1.026	0.10	0.43	0.76	0.90	1090	7.28	47.3	34.90	14.60	34.90	14.30	25.40	10.16
AC1060	60	1000:1	100	0.3600	24.00	1.001	0.10	0.44	0.66	0.76	1250	7.41	65.2	38.10	14.60	38.10	15.90	33.00	10.16
AC1075	75	1000:1	100	0.5700	24.00	1.001	0.10	0.39	0.57	0.65	1520	9.26	65.2	38.10	14.60	38.10	15.90	33.00	10.16
AC1100	100	1000:1	100	1.0000	21.30	1.001	0.10	0.34	0.50	0.56	1740	12.00	80.0	44.50	19.05	44.50	14.30	35.56	10.16
AC1150	150	1000:1	100	2.2500	11.00	1.002	0.10	0.37	0.50	0.55	1820	16.60	150.0	55.60	23.80	55.60	20.60	45.72	12.70
AC1200	200	1000:1	100	4.0000	11.00	1.002	0.10	0.31	0.41	0.45	2340	22.20	150.0	55.60	23.80	55.60	20.60	45.72	12.70

I<sub>p</sub>: Primary Current  
R<sub>L</sub>: Terminating Resistor

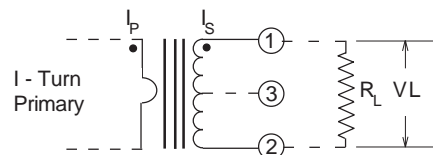
RCF: Ratio correction factor - Multiply current readings by this factor to compensate for transformer losses.

#### Dimensions



#### Notes:

- 1) Unless requested, the terminating resistor and the one-turn primary are not supplied
- 2) Pin 3: Normally for mechanical support only but will be used on center tapped designs
- 3) Each part number adjusted to be most accurate at specified load.



## Sales & Marketing, Design and Manufacturing Facilities

<http://www.talema-nuvotem.com>

#### Eastern Europe & Czech Republic

NT MAGNETICS s.r.o.  
Chebská 27  
322 00 Plzeň  
Tel: Int. + 420 377 - 338 351  
Fax: Int. + 420 377 - 338 350  
Email: [talema@talema.cz](mailto:talema@talema.cz)  
Web Site: [www.ntmagnetics.cz](http://www.ntmagnetics.cz)

#### Germany

TALEMA ELEKTRONIK GMBH  
Sembdnerstr. 5, Postfach 2523  
82110 Germering  
Tel: Int. + 49 89 - 841 00 - 0  
Fax: Int. + 49 89 - 841 00 25  
Email: [info@talema.de](mailto:info@talema.de)

#### Ireland

NUVOTEMTEO.  
Crollry  
Co. Donegal  
Tel: Int. + 353 74 - 954 8666  
Fax: Int. + 353 74 - 954 8139  
Email: [info@nuvotem.com](mailto:info@nuvotem.com)

#### India

TALEMA ELECTRONIC PVT. LTD.  
Opposite the SIDCO Industrial Estate  
Gins Towers  
4/5S.H/1, Omalur Main Road  
Salem - 636 004, Tamil Nadu  
Tel: Int. + 91 427 - 244 1325  
Fax: Int. + 91 427 - 243 0034  
E-mail: [talema@talemaindia.com](mailto:talema@talemaindia.com)  
Web Site: [www.talemaindia.com](http://www.talemaindia.com)

# AC1005 • 5 Amp Current Transformer

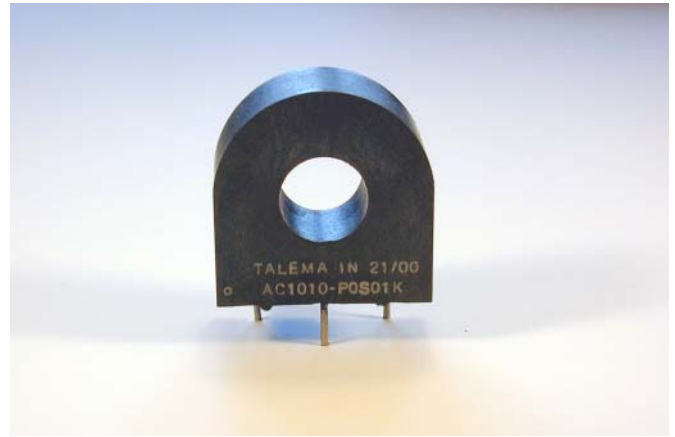
## Low Cost 50/60Hz Current Transformers

### Applications

- Sensing Overload Current
- Ground fault detection
- Metering
- Analog to Digital Circuits

### Electrical Specifications @ 20°C ambient

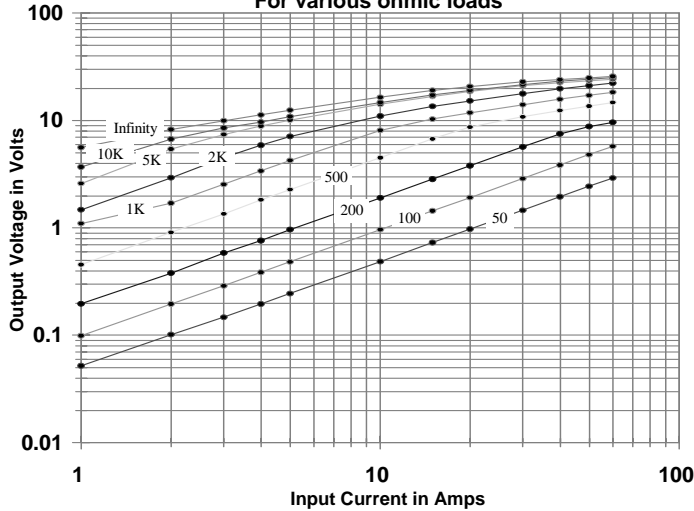
Electrical Specifications	
Primary Current	5A nom., 60A max.
Turns Ratio	1000:1 nominal
Volt per Amp Ratio at 5A for 100 ohm load	0.100 V/A
Volt per Amp Ratio at 0.5A for 100 ohm load	0.096 V/A
DC Resistance at 20°C	41.8 ohms
Dielectric Withstanding Voltage (Hi-pot)	4KVrms
Mechanical Specifications	
Case	Polycarbonate
Encapsulant	Epoxy
Flammibility	Conforms to UL94-VO
Terminals	Pins Ø 0.80mm
Marking	TALEMA Date Code (W/Y) AC1005, Dot at start pin
Approximate Weight	16.3 grams
Tolerance	±0.2mm



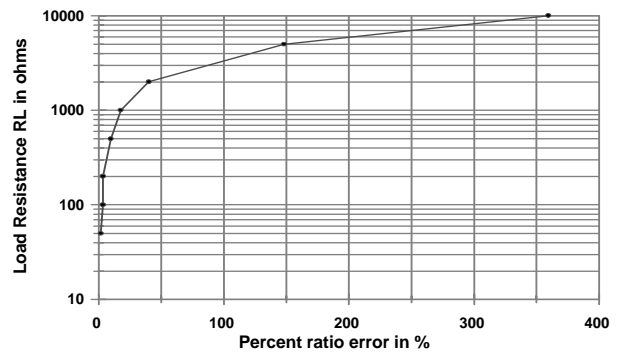
### Environmental Specifications

Storage Temperature	-55° to +130°C
Insulation Resistance	100 megohms min.

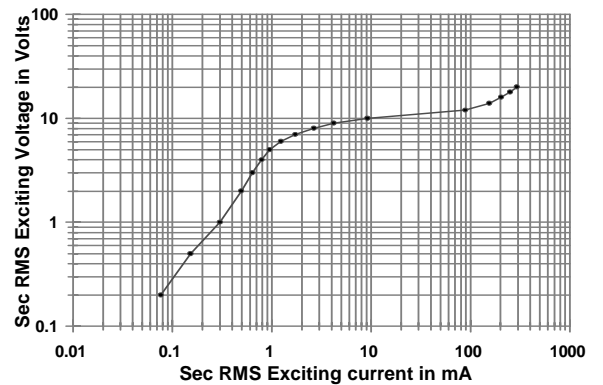
### Output Volts vs Input Current For various ohmic loads



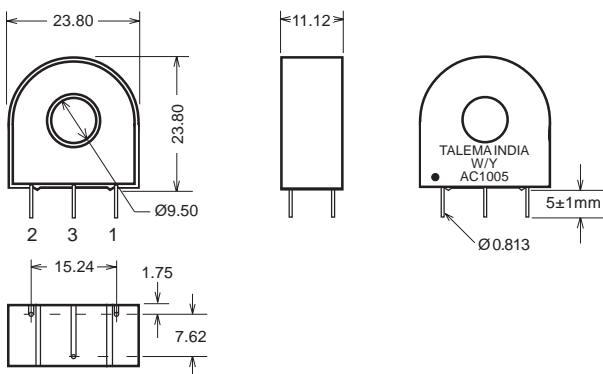
### %RE vs RL at Rated primary current (AC1005)



### Typical Excitation Curve (AC1005-AC1020)

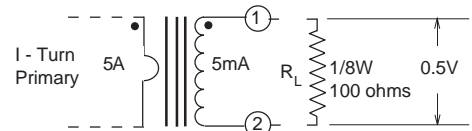


### Dimensions



### Notes:

- 1) Unless requested, the terminating resistor and the one-turn primary are not supplied
- 2) Pin 3: Normally for mechanical support only but will be used on center tapped designs





# AC1010 • 10 Amp Current Transformer

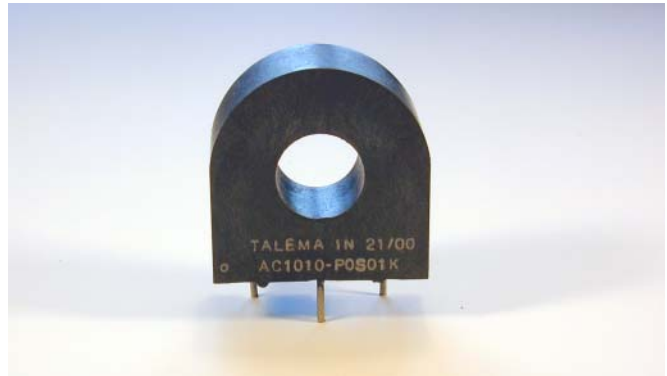
## Low Cost 50/60Hz Current Transformers

### Applications

- Sensing Overload Current
- Ground fault detection
- Metering
- Analog to Digital Circuits

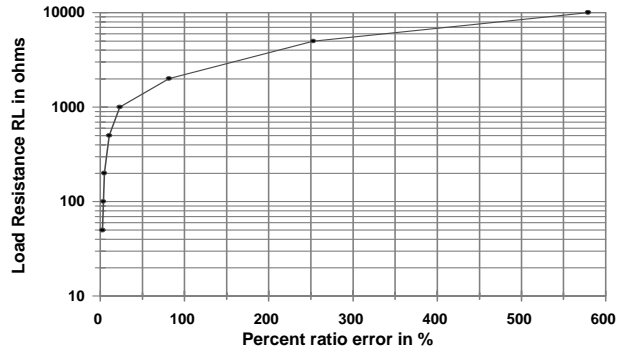
### Electrical Specifications @ 20°C ambient

Electrical Specifications	
Primary Current	10A nom., 60 A max.
Turns Ratio	1000:1 nominal
Volt per Amp Ratio at 10A for 100 ohm load	0.100 V/A
Volt per Amp Ratio at 1A for 100 ohm load	0.097 V/A
DC Resistance at 20°C	41.8 ohms
Dielectric Withstanding Voltage (Hi-pot)	4KVrms
Mechanical Specifications	
Case	Polycarbonate
Encapsulant	Epoxy
Flammability	Conforms to UL94-VO
Terminals	Pins Ø 0.80mm
Marking	TALEMA Date Code (W/Y) 1010, Dot at start pin
Approximate Weight	16.3 grams
Tolerance	±0.2mm

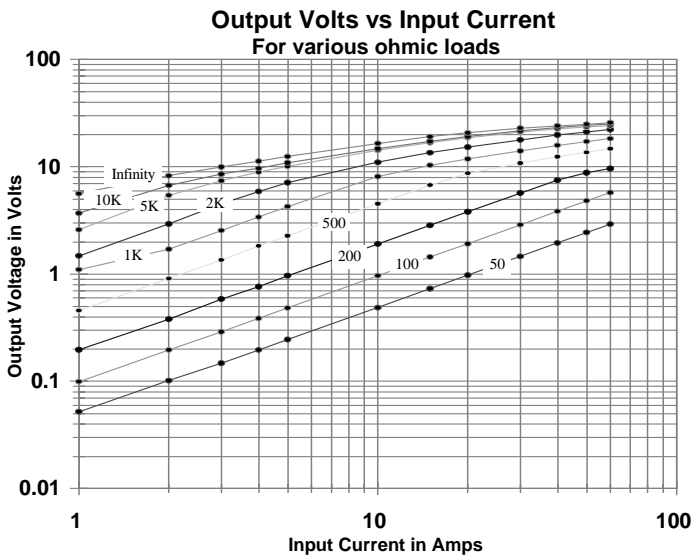
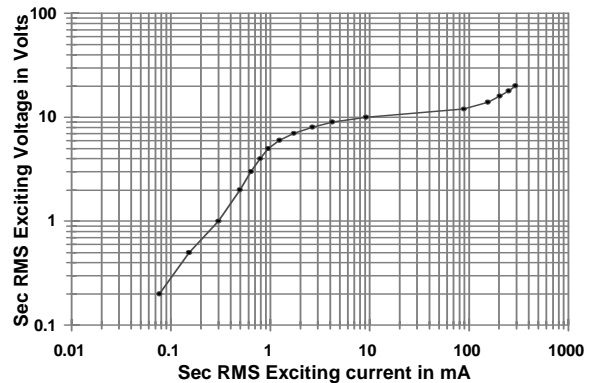


Environmental Specifications	
Storage Temperature	-55° to +130°C
Insulation Resistance	100 megohms min.

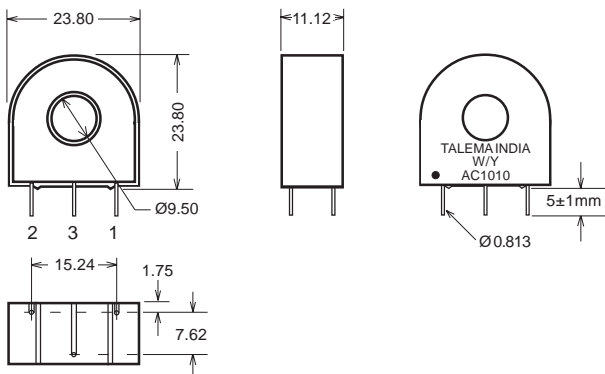
%RE vs RL at Rated primary current (AC1010)



Typical Excitation Curve (AC1005~AC1020)

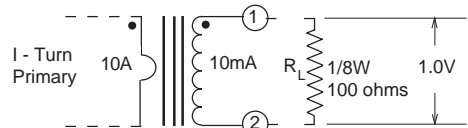


### Dimensions



### Notes:

- 1) Unless requested, the terminating resistor and the one-turn primary are not supplied
- 2) Pin 3: Normally for mechanical support only but will be used on center tapped designs





# AC1015 • 15 Amp Current Transformer

## Low Cost 50/60Hz Current Transformers

### Applications

- Sensing Overload Current
- Ground fault detection
- Metering
- Analog to Digital Circuits

### Electrical Specifications @ 20°C ambient

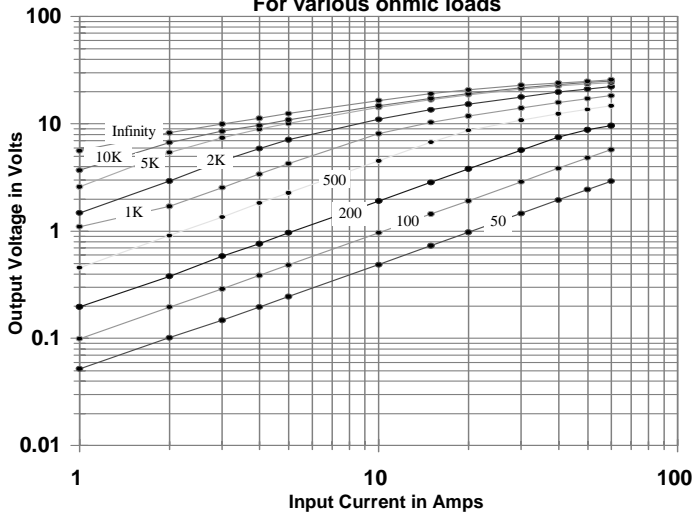
Electrical Specifications	
Primary Current	15A nom., 60 A max.
Turns Ratio	1000:1 nominal
Volt per Amp Ratio at 15A for 100 ohm load	0.100 V/A
Volt per Amp Ratio at 1.5A for 100 ohm load	0.097 V/A
DC Resistance at 20°C	41.8 ohms
Dielectric Withstanding Voltage (Hi-pot)	4KVrms
Mechanical Specifications	
Case	Polycarbonate
Encapsulant	Epoxy
Flammability	Conforms to UL94-VO
Terminals	Pins Ø 0.80mm
Marking	TALEMA Date Code (W/Y) AC1015, Dot at start pin
Approximate Weight	16.3 grams
Tolerance	±0.2mm



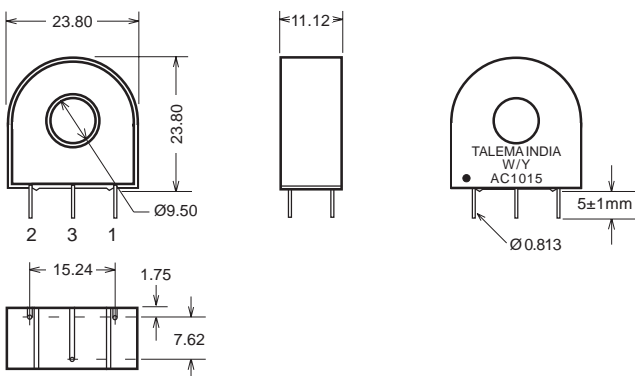
### Environmental Specifications

Storage Temperature	-55° to +130°C
Insulation Resistance	100 megohms min.

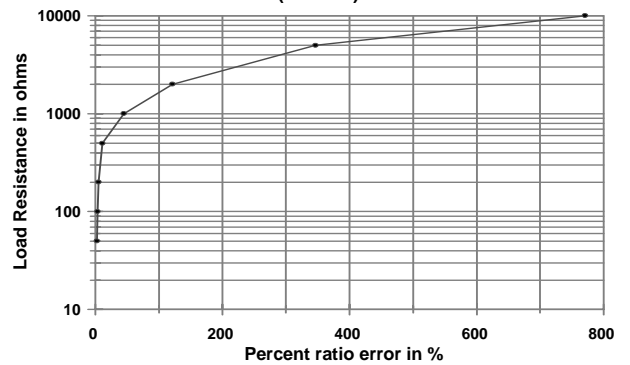
### Output Volts vs Input Current For various ohmic loads



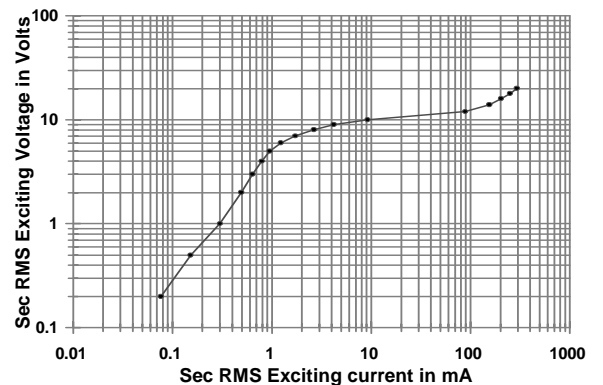
### Dimensions



### %RE vs RL at Rated primary current (AC1015)

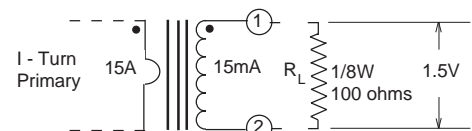


### Typical Excitation Curve (AC1005~AC1020)



### Notes:

- 1) Unless requested, the terminating resistor and the one-turn primary are not supplied
- 2) Pin 3: Normally for mechanical support only but will be used on center tapped designs





# AC1020 • 20 Amp Current Transformer

## Low Cost 50/60Hz Current Transformers

### Applications

- Sensing Overload Current
- Ground fault detection
- Metering
- Analog to Digital Circuits

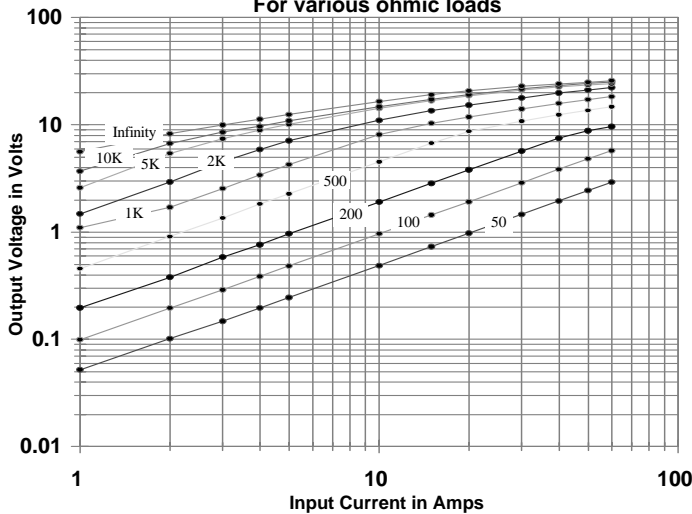
### Electrical Specifications @ 20°C ambient

Electrical Specifications	
Primary Current	20A nom., 60 A max.
Turns Ratio	1000:1 nominal
Volt per Amp Ratio at 20A for 100 ohm load	0.100 V/A
Volt per Amp Ratio at 2A for 100 ohm load	0.097 V/A
DC Resistance at 20°C	41.8 ohms
Dielectric Withstanding Voltage (Hi-pot)	4KVrms
Mechanical Specifications	
Case	Polycarbonate
Encapsulant	Epoxy
Flammability	Conforms to UL94-VO
Terminals	Pins Ø 0.80mm
Marking	TALEMA Date Code (W/Y) AC1020, Dot at start pin
Approximate Weight	16.3 grams
Tolerance	±0.2mm

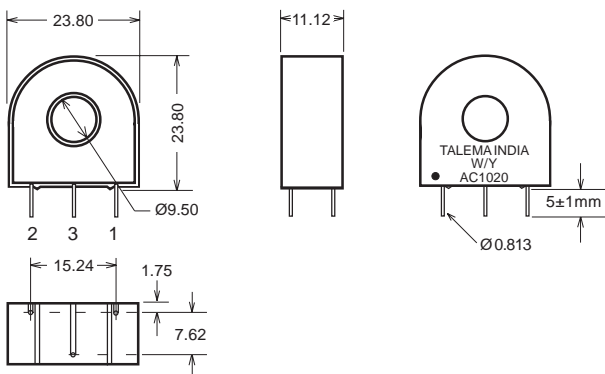


Environmental Specifications	
Storage Temperature	-55° to +130°C
Insulation Resistance	100 megohms min.

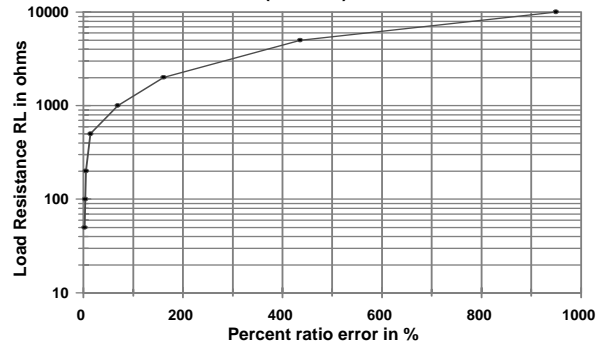
**Output Volts vs Input Current  
For various ohmic loads**



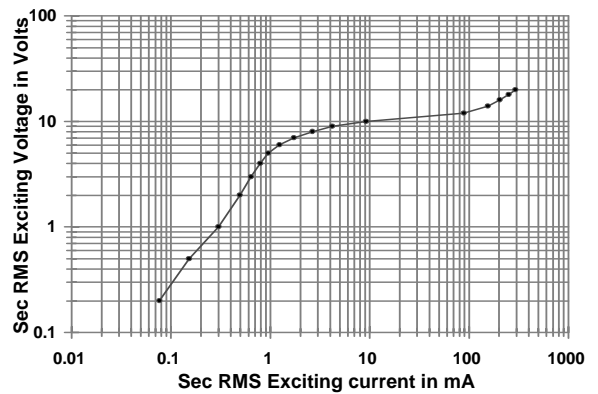
**Dimensions**



**%RE vs RL at Rated primary current  
(AC1020)**

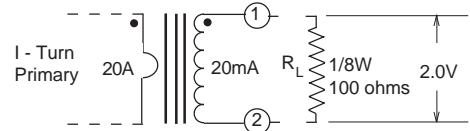


**Typical Excitation Curve  
(AC1005-AC1020)**



### Notes:

- 1) Unless requested, the terminating resistor and the one-turn primary are not supplied
- 2) Pin 3: Normally for mechanical support only but will be used on center tapped designs



# AC1025 • 25 Amp Current Transformer

## Low Cost 50/60Hz Current Transformers

### Applications

- Sensing Overload Current
- Ground fault detection
- Metering
- Analog to Digital Circuits

### Electrical Specifications @ 20°C ambient

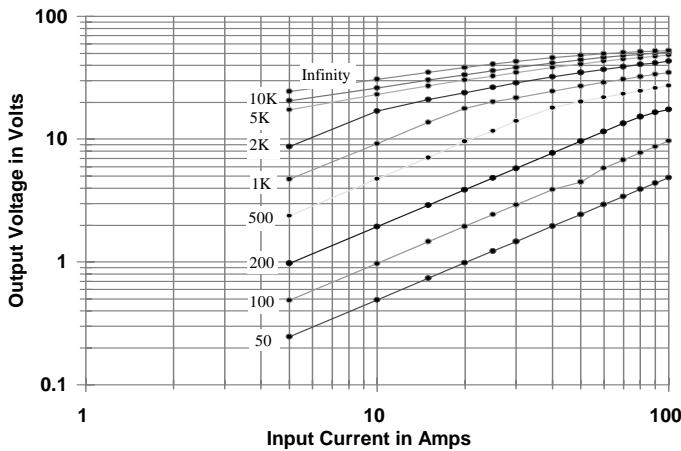
Electrical Specifications	
Primary Current	25A nom., 75A max.
Turns Ratio	1000:1 nominal
Volt per Amp Ratio at 25A for 100 ohm load	0.100 V/A
Volt per Amp Ratio at 2.5A for 100 ohm load	0.098 V/A
DC Resistance at 20°C	48 ohms
Dielectric Withstanding Voltage (Hi-pot)	4KVrms
Mechanical Specifications	
Case	Polycarbonate
Encapsulant	Epoxy
Flammability	Conforms to UL94-VO
Terminals	Pins Ø 1.0mm
Marking	TALEMA Date Code (W/Y) AC1025, Dot at start pin
Approximate Weight	35.5 grams
Tolerance	±0.2mm



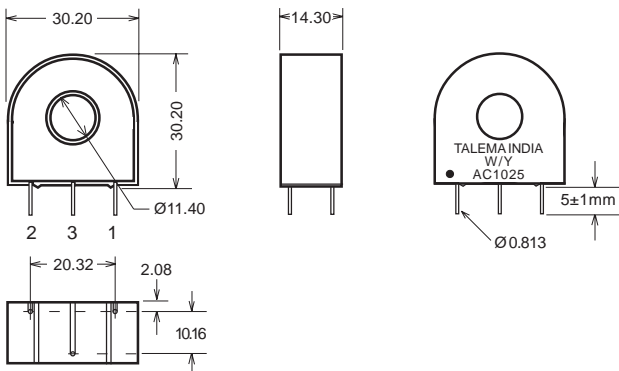
### Environmental Specifications

Storage Temperature	-55° to +130°C
Insulation Resistance	100 megohms min.

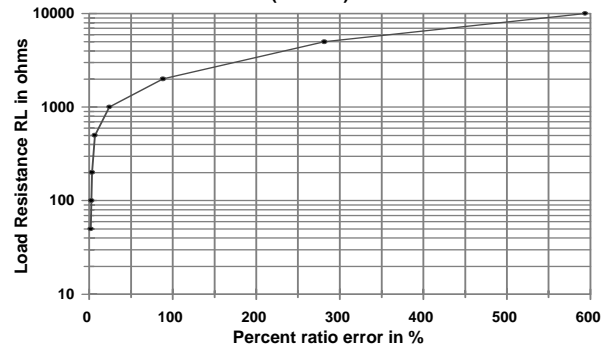
Output Volts vs Input Current  
For various ohmic loads



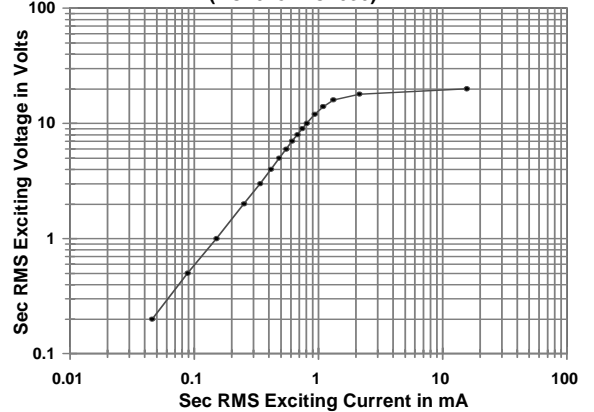
Dimensions



%RE vs RL at Rated primary current  
(AC1025)

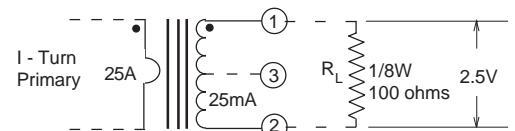


Typical Excitation Curve  
(AC1025-AC1030)



### Notes:

- 1) Unless requested, the terminating resistor and the one-turn primary are not supplied
- 2) Pin 3: Normally for mechanical support only but will be used on center tapped designs





# AC1030 • 30 Amp Current Transformer

## Low Cost 50/60Hz Current Transformers

### Applications

- Sensing Overload Current
- Ground fault detection
- Metering
- Analog to Digital Circuits

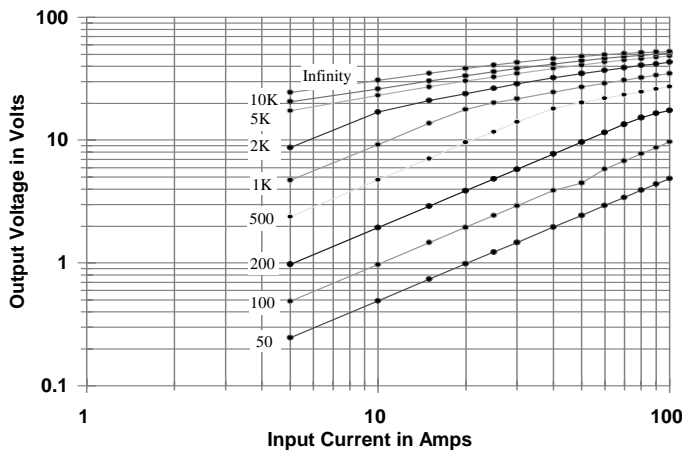
### Electrical Specifications @ 20°C ambient

Electrical Specifications	
Primary Current	30A nom., 75A max.
Turns Ratio	1000:1 nominal
Volt per Amp Ratio at 30A for 100 ohm load	0.100 V/A
Volt per Amp Ratio at 3A for 100 ohm load	0.098 V/A
DC Resistance at 20°C	48 ohms
Dielectric Withstanding Voltage (Hi-pot)	4KVrms
Mechanical Specifications	
Case	Polycarbonate
Encapsulant	Epoxy
Flammability	Conforms to UL94-VO
Terminals	Pins Ø 1.0mm
Marking	TALEMA Date Code (W/Y) AC1030, Dot at start pin
Approximate Weight	35.5 grams
Tolerance	±0.2mm

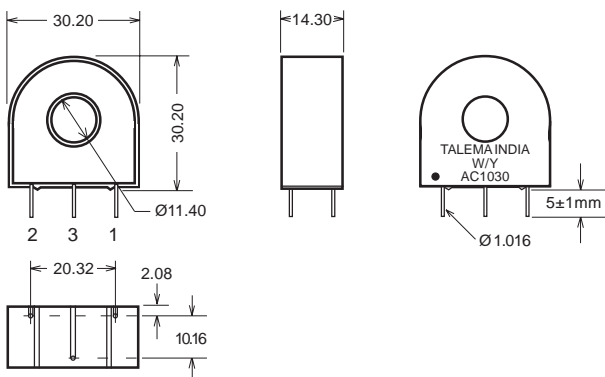


Environmental Specifications	
Storage Temperature	-55° to +130°C
Insulation Resistance	100 megohms min.

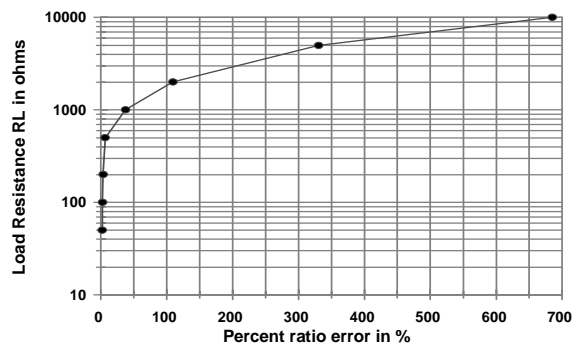
Output Volts vs Input Current  
For various ohmic loads



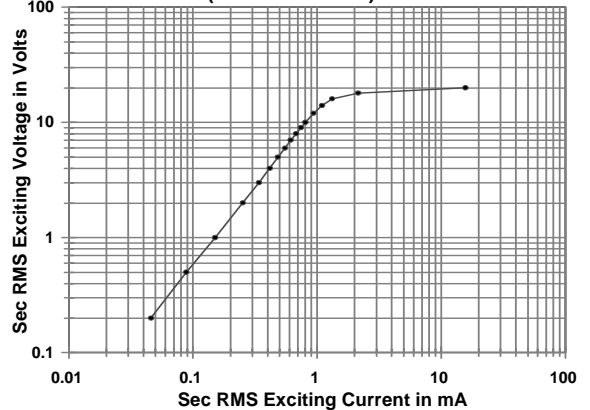
### Dimensions



%RE vs RL at Rated primary current  
(AC1030)

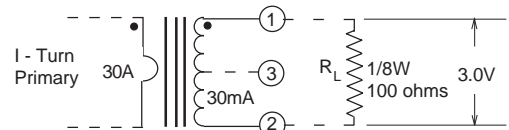


Typical Excitation Curve  
(AC1025-AC1030)



### Notes:

- 1) Unless requested, the terminating resistor and the one-turn primary are not supplied
- 2) Pin 3: Normally for mechanical support only but will be used on center tapped designs



# AC1040 • 40 Amp Current Transformer

## Low Cost 50/60Hz Current Transformers

### Applications

- Sensing Overload Current
- Ground fault detection
- Metering
- Analog to Digital Circuits

### Electrical Specifications @ 20°C ambient

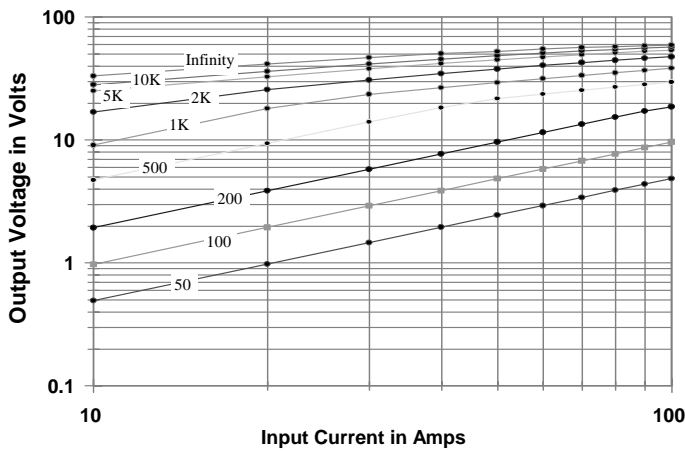
Electrical Specifications	
Primary Current	40A nom., 125A max.
Turns Ratio	1000:1 nominal
Volt per Amp Ratio at 40A for 100 ohm load	0.100 V/A
Volt per Amp Ratio at 4A for 100 ohm load	0.098 V/A
DC Resistance at 20°C	49.3 ohms
Dielectric Withstanding Voltage (Hi-pot)	4KVrms
Mechanical Specifications	
Case	Polycarbonate
Encapsulant	Epoxy
Flammability	Conforms to UL94-VO
Terminals	Pins Ø 1.0mm
Marking	TALEMA Date Code (W/Y) AC1040, Dot at start pin
Approximate Weight	47.3 grams
Tolerance	±0.2mm



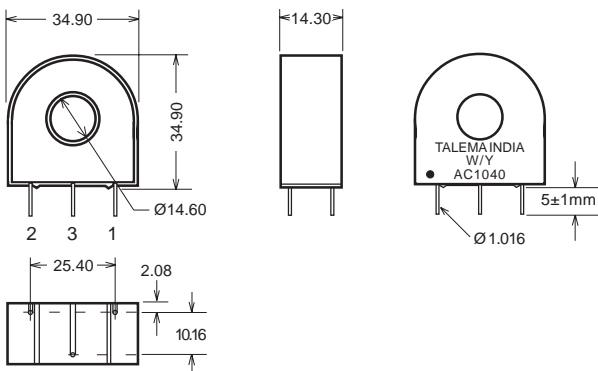
### Environmental Specifications

Storage Temperature	-55° to +130°C
Insulation Resistance	100 megohms min.

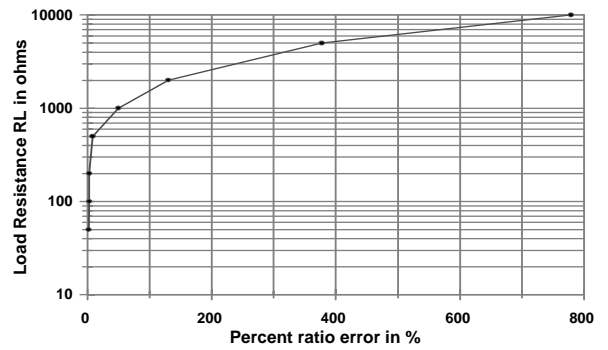
**Output Volts vs Input Current**  
For various ohmic loads



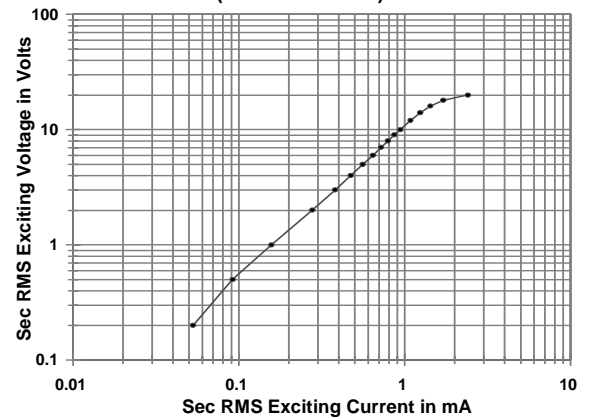
**Dimensions**



**%RE vs RL at Rated primary current**  
(AC1040)

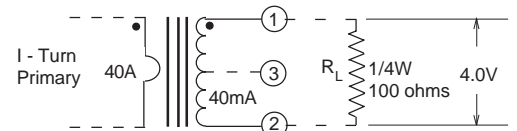


**Typical Excitation Curve**  
(AC1040-AC1050)



### Notes:

- 1) Unless requested, the terminating resistor and the one-turn primary are not supplied
- 2) Pin 3: Normally for mechanical support only but will be used on center tapped designs







# AC1050 • 50 Amp Current Transformer

## Low Cost 50/60Hz Current Transformers

### Applications

- Sensing Overload Current
- Ground fault detection
- Metering
- Analog to Digital Circuits

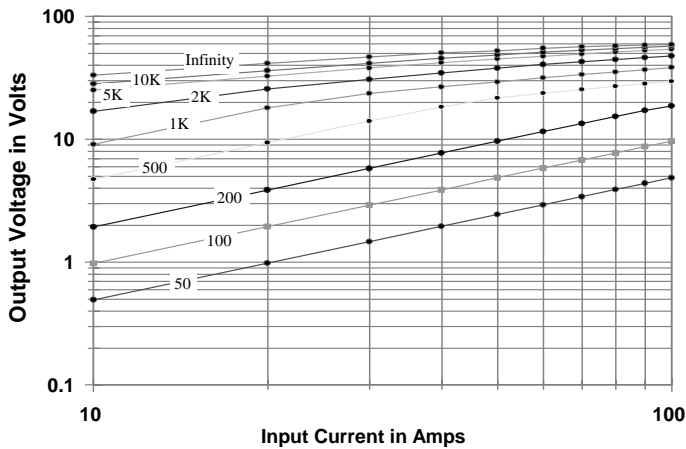
### Electrical Specifications @ 20°C ambient

Electrical Specifications	
Primary Current	50A nom., 125A max.
Turns Ratio	1000:1 nominal
Volt per Amp Ratio at 50A for 100 ohm load	0.100 V/A
Volt per Amp Ratio at 5A for 100 ohm load	0.098 V/A
DC Resistance at 20°C	49.3 ohms
Dielectric Withstanding Voltage (Hi-pot)	4KVrms
Mechanical Specifications	
Case	Polycarbonate
Encapsulant	Epoxy
Flammability	Conforms to UL94-VO
Terminals	Pins Ø 1.0mm
Marking	TALEMA Date Code (W/Y) AC1050, Dot at start pin
Approximate Weight	47.3 grams
Tolerance	±0.2mm

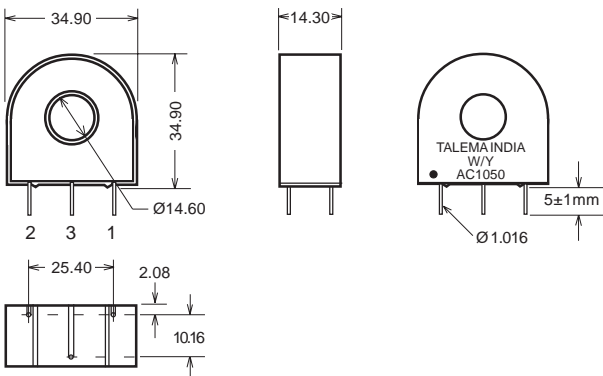


Environmental Specifications	
Storage Temperature	-55° to +130°C
Insulation Resistance	100 megohms min.

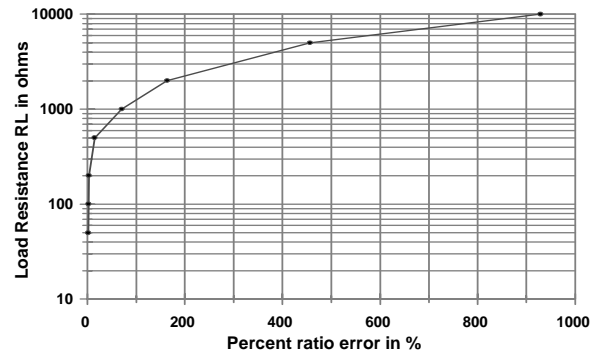
**Output Volts vs Input Current**  
For various ohmic loads



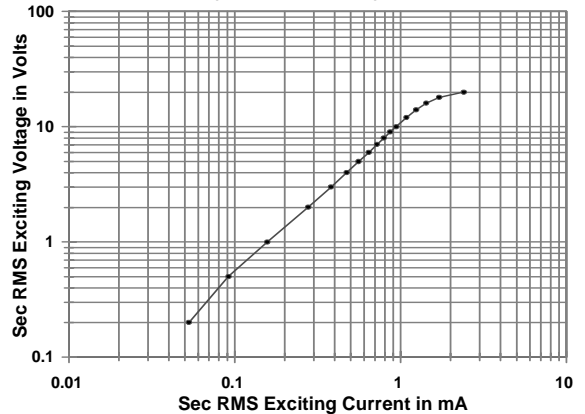
**Dimensions**



**%RE vs RL at Rated primary current (AC1050)**

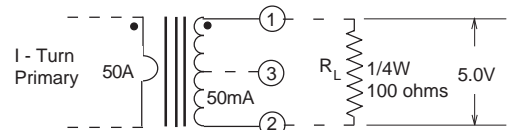


**Typical Excitation Curve (AC1040-AC1050)**



### Notes:

- 1) Unless requested, the terminating resistor and the one-turn primary are not supplied
- 2) Pin 3: Normally for mechanical support only but will be used on center tapped designs



# AC1060 • 60 Amp Current Transformer

## Low Cost 50/60Hz Current Transformers

### Applications

- Sensing Overload Current
- Ground fault detection
- Metering
- Analog to Digital Circuits

### Electrical Specifications @ 20°C ambient

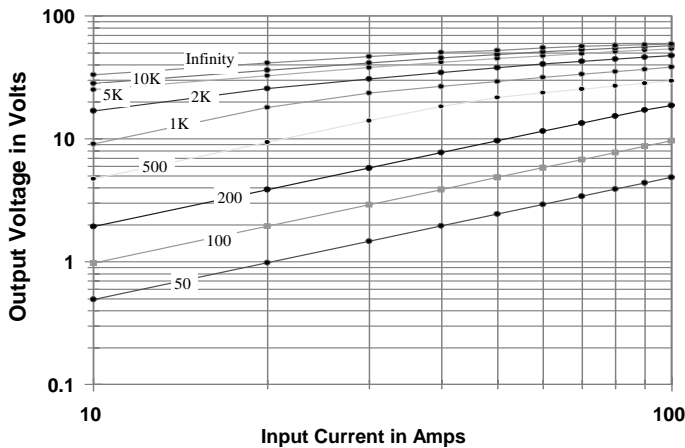
Electrical Specifications	
Primary Current	60A nom., 200A max.
Turns Ratio	1000:1 nominal
Volt per Amp Ratio at 60A for 100 ohm load	0.100 V/A
Volt per Amp Ratio at 6A for 100 ohm load	0.0984 V/A
DC Resistance at 20°C	24 ohms
Dielectric Withstanding Voltage (Hi-pot)	4KVrms
Mechanical Specifications	
Case	Polycarbonate
Encapsulant	Epoxy
Flammability	Conforms to UL94-VO
Terminals	Pins Ø 1.0mm
Marking	TALEMA Date Code (W/Y) AC1060, Dot at start pin
Approximate Weight	65.2 grams
Tolerance	±0.2mm



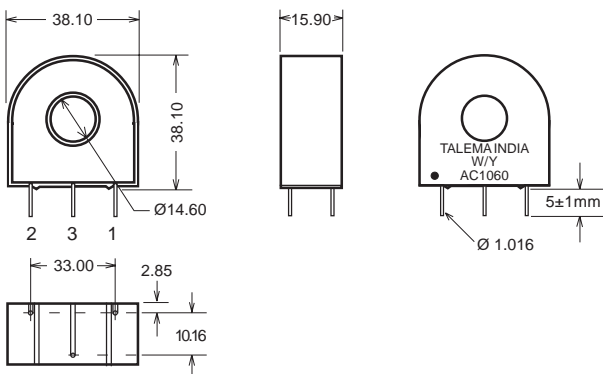
### Environmental Specifications

Storage Temperature	-55° to +130°C
Insulation Resistance	100 megohms min.

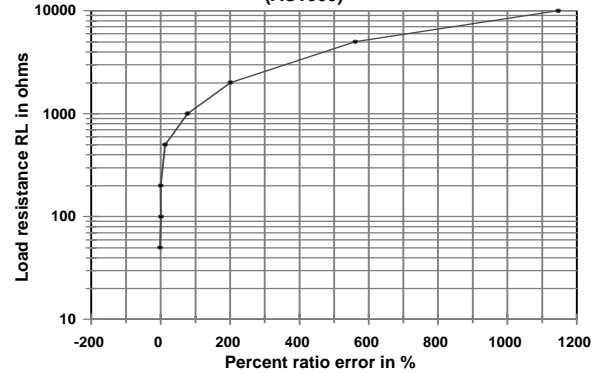
Output Volts vs Input Current  
For various ohmic loads



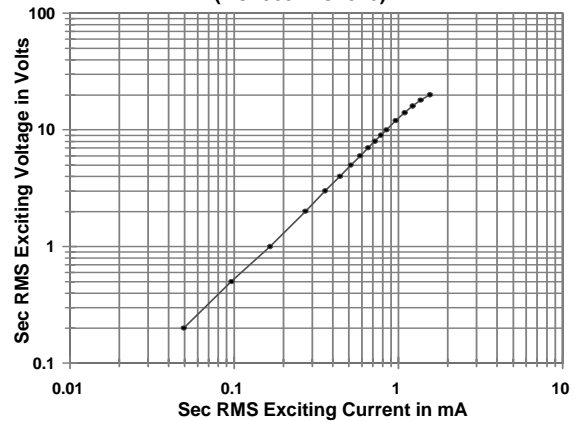
### Dimensions



%RE vs RL at Rated primary current  
(AC1060)

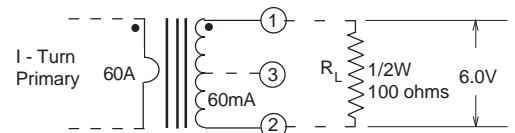


Typical Excitation Curve  
(AC1060-AC1075)



### Notes:

- 1) Unless requested, the terminating resistor and the one-turn primary are not supplied
- 2) Pin 3: Normally for mechanical support only but will be used on center tapped designs





# AC1075 • 75 Amp Current Transformer

## Low Cost 50/60Hz Current Transformers

### Applications

- Sensing Overload Current
- Ground fault detection
- Metering
- Analog to Digital Circuits

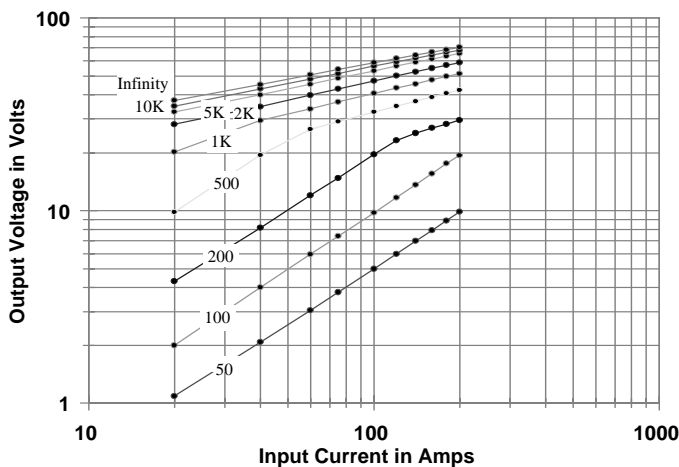
### Electrical Specifications @ 20°C ambient

Electrical Specifications	
Primary Current	75A nom., 200A max.
Turns Ratio	1000:1 nominal
Volt per Amp Ratio at 75A for 100 ohm load	0.100 V/A
Volt per Amp Ratio at 7.5A for 100 ohm load	0.0984 V/A
DC Resistance at 20°C	24 ohms
Dielectric Withstanding Voltage (Hi-pot)	4KVrms
Mechanical Specifications	
Case	Polycarbonate
Encapsulant	Epoxy
Flammability	Conforms to UL94-VO
Terminals	Pins Ø 1.0mm
Marking	TALEMA Date Code (W/Y) AC1075, Dot at start pin
Approximate Weight	65.2 grams
Tolerance	±0.2mm

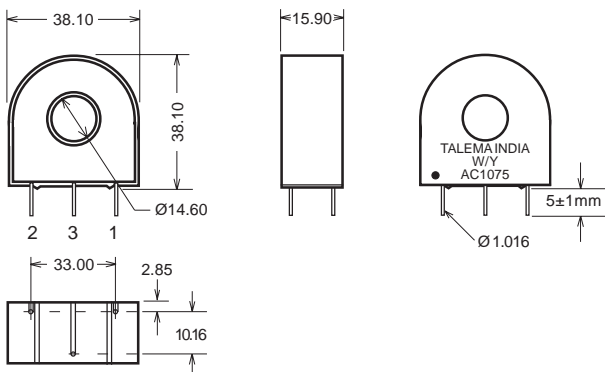


Environmental Specifications	
Storage Temperature	-55° to +130°C
Insulation Resistance	100 megohms min.

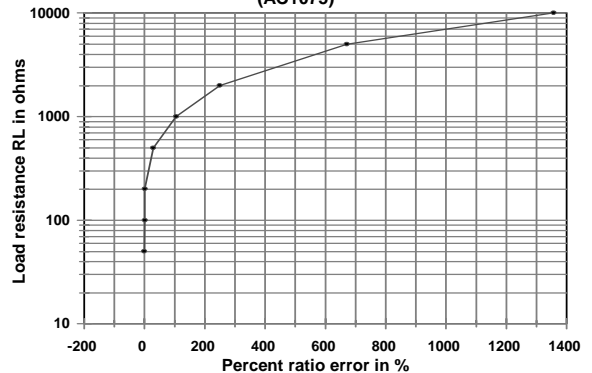
Output Volts vs Input Current  
For various ohmic loads



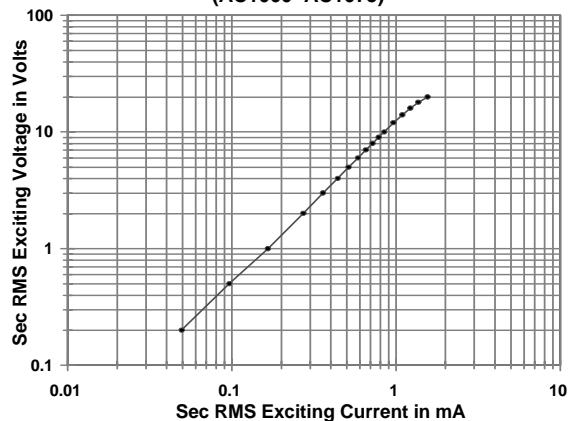
Dimensions



%RE vs RL at Rated primary current  
(AC1075)

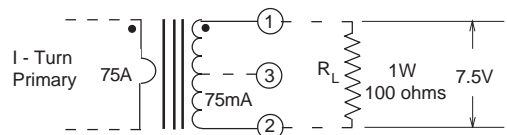


Typical Excitation Curve  
(AC1060-AC1075)



### Notes:

- 1) Unless requested, the terminating resistor and the one-turn primary are not supplied
- 2) Pin 3: Normally for mechanical support only but will be used on center tapped designs



# AC1100 • 100 Amp Current Transformer

## Low Cost 50/60Hz Current Transformers

### Applications

- Sensing Overload Current
- Ground fault detection
- Metering
- Analog to Digital Circuits

### Electrical Specifications @ 20°C ambient

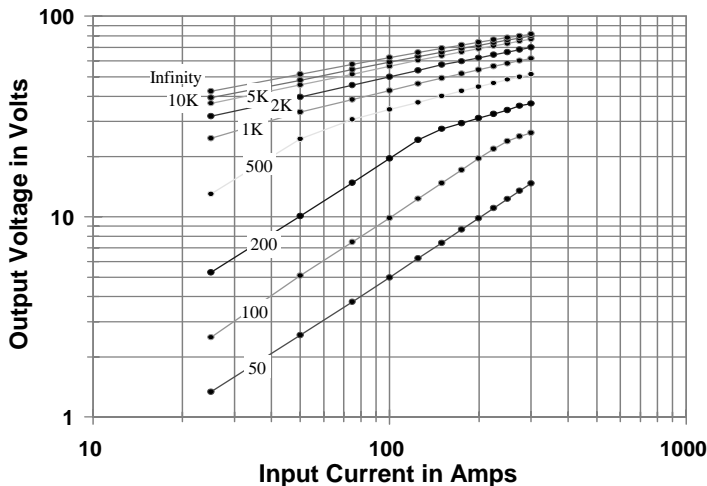
Electrical Specifications	
Primary Current	100A nom., 250A max.
Turns Ratio	1000:1 nominal
Volt per Amp Ratio at 100A for 100 ohm load	0.100 V/A
Volt per Amp Ratio at 10A for 100 ohm load	0.0986 V/A
DC Resistance at 20°C	21.3 ohms
Dielectric Withstanding Voltage (Hi-pot)	4KVrms
Mechanical Specifications	
Case	Polycarbonate
Encapsulant	Epoxy
Flammability	Conforms to UL94-VO
Terminals	Pins Ø 1.0mm
Marking	TALEMA Date Code (W/Y) AC1100, Dot at start pin
Approximate Weight	80 grams



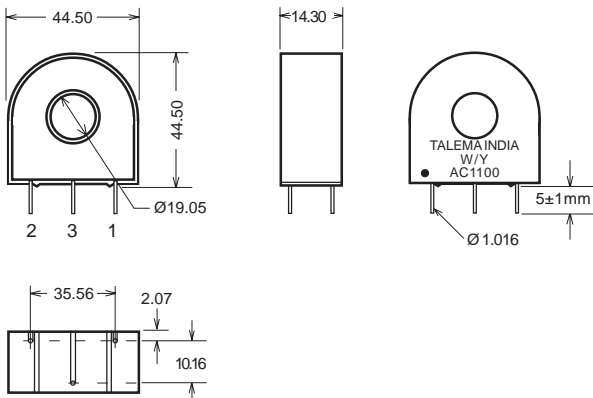
### Environmental Specifications

Storage Temperature	-55° to +130°C
Insulation Resistance	100 megohms min.

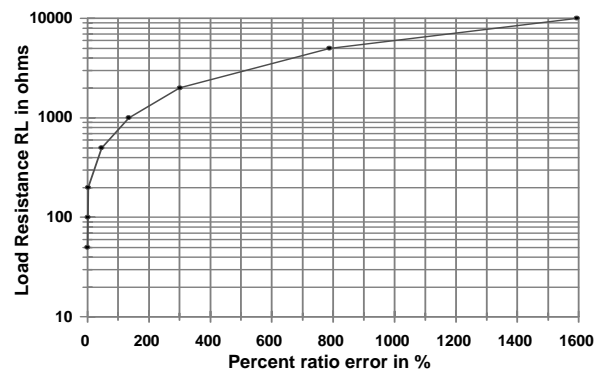
**Output Volts vs Input Current**  
For various ohmic loads



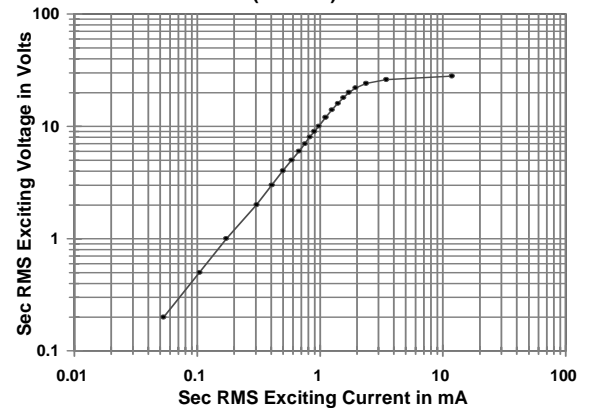
**Dimensions**



**%RE vs RL at Rated primary current (AC1100)**

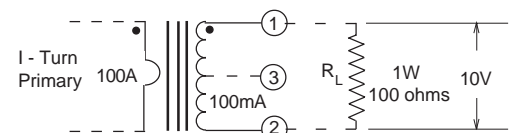


**Typical Excitation Curve (AC1100)**



### Notes:

- 1) Unless requested, the terminating resistor and the one-turn primary are not supplied
- 2) Pin 3: Normally for mechanical support only but will be used on center tapped designs





# AC1150 • 150 Amp Current Transformer

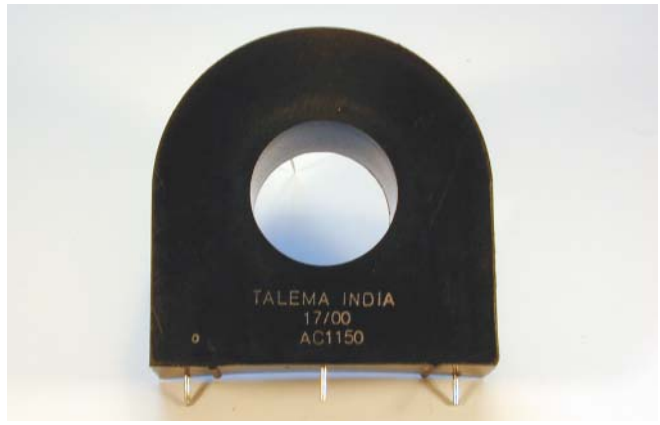
## Low Cost 50/60Hz Current Transformers

### Applications

- Sensing Overload Current
- Ground fault detection
- Metering
- Analog to Digital Circuits

### Electrical Specifications @ 20°C ambient

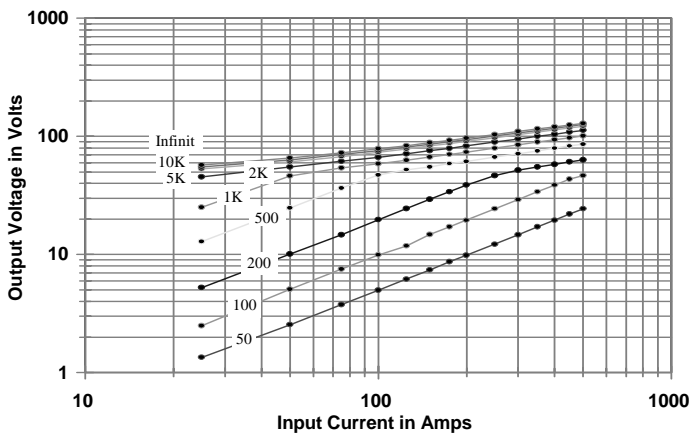
Electrical Specifications	
Primary Current	150A nom., 500A max.
Turns Ratio	1000:1 nominal
Volt per Amp Ratio at 150A for 100 ohm load	0.100 V/A
Volt per Amp Ratio at 15A for 100 ohm load	0.0990 V/A
DC Resistance at 20°C	11 ohms
Dielectric Withstanding Voltage (Hi-pot)	4KVrms
Mechanical Specifications	
Case	Polycarbonate
Encapsulant	Epoxy
Flammability	Conforms to UL94-VO
Terminals	Pins Ø 1.0mm
Marking	TALEMA Date Code (W/Y) AC1150, Dot at start pin
Approximate Weight	150 grams
Tolerance	±0.2mm



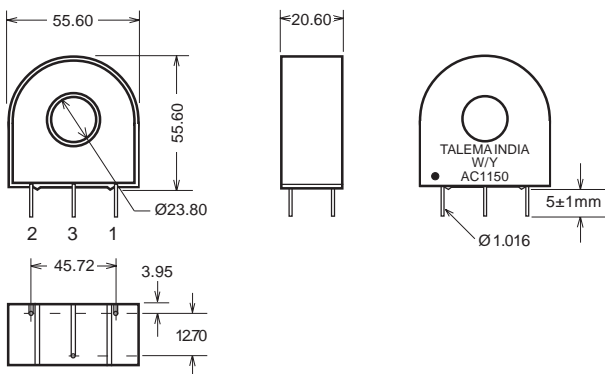
### Environmental Specifications

Storage Temperature	-55° to +130°C
Insulation Resistance	100 megohms min.

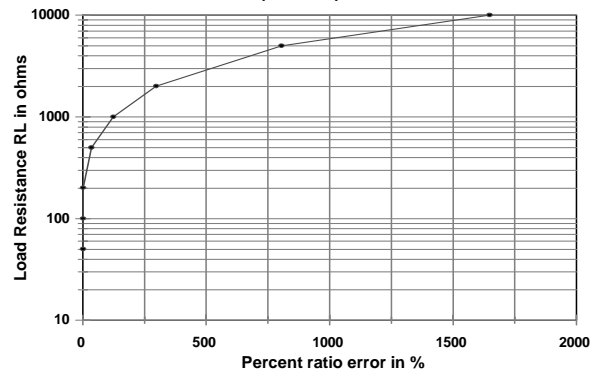
**Output Volts vs Input Current**  
For various ohmic loads



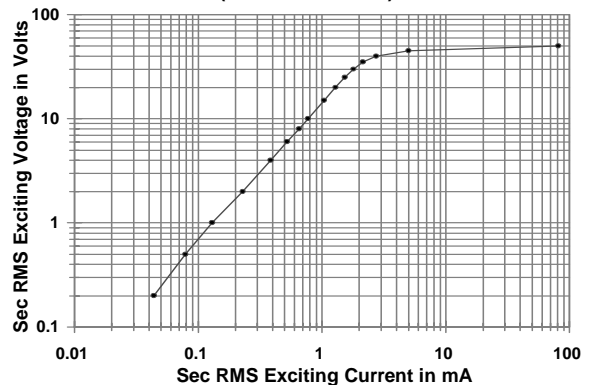
### Dimensions



**%RE vs RL at Rated primary current (AC1150)**

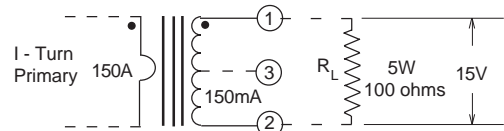


**Typical Excitation Curve (AC1150-AC1200)**



### NOTES:

- 1) Unless requested, the terminating resistor and the one-turn primary are not supplied
- 2) Pin 3: Normally for mechanical support only but will be used on center tapped designs





# AC1200 • 200 Amp Current Transformer

## Low Cost 50/60Hz Current Transformers

### Applications

- Sensing Overload Current
- Ground fault detection
- Metering
- Analog to Digital Circuits

### Electrical Specifications @ 20°C ambient

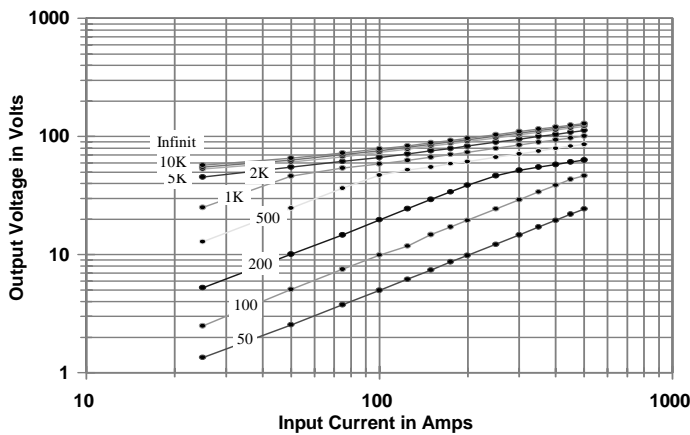
Electrical Specifications	
Primary Current	200A nom., 500A max.
Turns Ratio	1000:1 nominal
loadlt per Amp Ratio at 200A for 100 ohm	0.100 V/A
Volt per Amp Ratio at 20A for 100 ohm load	0.0991 V/A
DC Resistance at 20°C	11 ohms
Dielectric Withstanding Voltage (Hi-pot)	4KVrms
Mechanical Specifications	
Case	Polycarbonate
Encapsulant	Epoxy
Flammibility	Conforms to UL94-VO
Terminals	Pins Ø 1.0mm
Marking	TALEMA Date Code (W/Y) AC1200, Dot at start pin
Approximate Weight	150 grams
Tolerance	±0.2mm



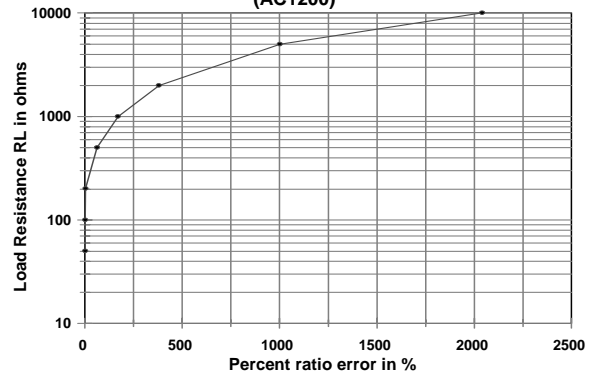
### Environmental Specifications

Storage Temperature	-55° to +130°C
Insulation Resistance	100 megohms min.

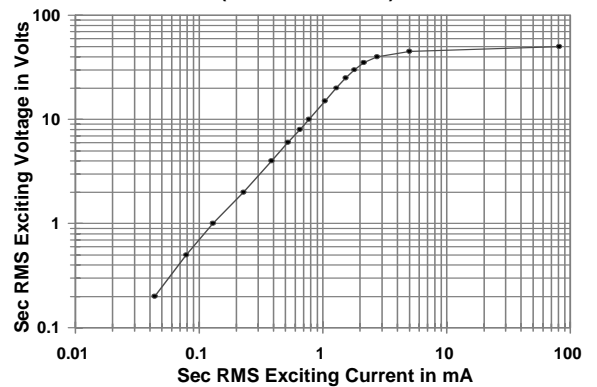
### Output Volts vs Input Current For various ohmic loads



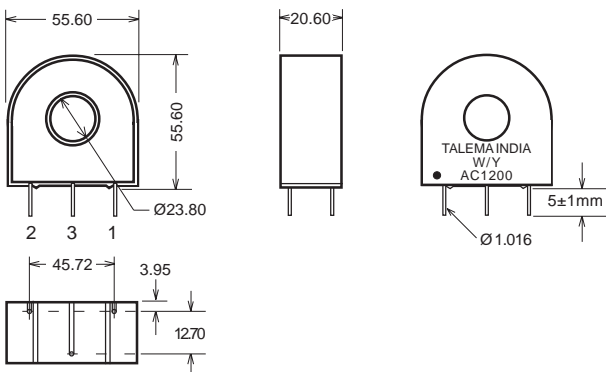
### %RE vs RL at Rated primary current (AC1200)



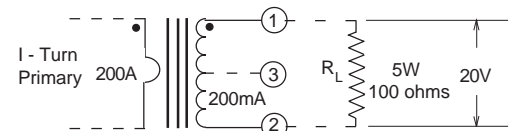
### Typical Excitation Curve (AC1150~AC1200)



### Dimensions



- 1) Unless requested, the terminating resistor and the one-turn primary are not supplied
- 2) Pin 3: Normally for mechanical support only but will be used on center tapped designs





## Authorised Talema Sales Representatives

### Germany

#### PLZ 1, 4, 5, 6, 8 & 9

TALEMAELEKTRONIKGMBH  
Sembdnerstr. 5, Postfach 2523  
82110 Germering  
Tel: Int. + 49 89 841 00 - 0  
Fax: Int. + 49 89 841 00 25  
Email: info@talema.de

#### PLZ 2 & 3 (less 35 & 36)

H. J. MERCK & Co. GmbH  
Hasenhöhe 128  
22587 Hamburg  
Tel: Int. + 49 40 87 08 63-0  
Fax: Int. + 49 40 87 08 63-33  
E-mail: info@hj-merck.de

#### PLZ 7

BERNDBIELER  
Industrievertretung  
Max-Eyth-Straße 1  
72379 Hechingen  
Tel: Int. + 49 7471 1804-0  
Fax: Int. + 49 7471 1804-10  
E-mail: bieler@bernd-bieler.de

### Austria

TALEMAELEKTRONIKGMBH  
Sembdnerstr. 5, Postfach 2523  
82110 Germering  
Tel: Int. + 49 89 841 00 - 0  
Fax: Int. + 49 89 841 00 25  
Email: info@talema.de

### Australia

TORTECH PTY. LTD.  
POB 194  
North Strathfield,  
Sydney, N.S.W. 2137  
Tel: Int. + 61 2 9642 6003  
Fax: Int. + 61 2 9642 6127  
E-Mail: tortech@ozemail.com.au  
Web Site: www.tortech.com.au

### Benelux

ISATRONICK B.V.B.A.  
Doolhoflaan 17  
B-2640 Mortsel  
Tel: Int. + 32 3 448 1976  
Fax: Int. + 32 3 448 1195  
E-Mail: info@isatronick.be  
Web Site: www.isatronick.be

### Denmark & Sweden

NORDTEK DANMARK  
Horsensvej 134  
DK-8300 Odder  
Tel: Int. + 45 86 554 344  
Fax: Int. + 45 86 554 644  
E-Mail: post@nordtek.dk  
Web Site: www.nordtek.dk

### France

E.S.I.A  
5-7 Place Marcel Rebuffat  
Courtaboeuf 7 Villejust  
91971 Courtaboeuf Cedex  
Tel: Int. + 33 1 6931 4410  
Fax: Int. + 33 1 6931 4425  
E-Mail: esia@wanadoo.fr  
Web Site: www.esia.fr

### Ireland

JOHN NELSON  
9 Washington Park  
Rathfarnham  
Dublin 14  
Tel: Int. + 353 1 493 9208  
Fax: Int. + 353 1 494 5595  
E-Mail: sales@nuvotem.com  
Web Site: www.nuvotem.com

### Italy

TECNOLASA ELETTRONICA  
Via Macello, 65/B  
I-39100 Bolzano  
Tel: Int. + 39 0471 305 400  
Fax: Int. + 39 0471 305 444  
E-Mail: sales@tecnolasa.com

### Spain

OTTORATING S.A.  
Castellnou, 31-33  
08017 Barcelona  
Tel: Int.+34 93 252 2708  
Fax: Int.+34 93 205 6264  
E-mail: Info@rating.esl  
Web Site: www.rating.es

### Switzerland

BTB COMPONENTS SAG  
Im Chlösterli 4  
CH-8902 Urdorf  
Tel: Int. + 41 44 734 4888  
Fax: Int. + 41 44 734 4892  
E-mail: info@btbcomponents.ch  
Web Site: www.btbcomponents.ch

### UK

DELTA COMPONENTS LTD.  
The Courtyard  
Seven Acres, Smallfield Road  
Horne, Surrey RH6 9JP  
Tel: Int. + 44 1342 844 555  
Fax: Int. + 44 1342 844 552  
E-Mail: sales@deltacomponents.com  
Web Site: www.deltacomponents.com

### USA

H. F. Transformers, Chokes & Inductors  
ALFAMAG ELECTRONICS LLC  
945 Parkwood  
PO Box 668  
Rolla, Missouri 65402  
Tel: Int.+573 364 2422  
Fax: Int.+573 364 5390  
E-Mail: sales@alfamag.com  
Web Site: www.alfamag.com

50/60 Hz Toroidal Transformers  
AMVECO MAGNETICS, INC.  
11222 Richmond Ave., Suite 120  
Houston, TX 77042  
E-Mail: sales@amveco.com  
Web Site: www.amveco.com

## Sales & Marketing, Design and Manufacturing Facilities

<http://www.talema-nuvotem.com>

### Eastern Europe & Czech Republic

NT MAGNETICS s.r.o.  
Chebská 27  
322 00 Plzeň  
Tel: Int. + 420 377 - 338 351  
Fax: Int. + 420 377 - 338 350  
Email: talema@talema.cz  
Web Site: www.ntmagnetics.cz

### Germany

TALEMAELEKTRONIKGMBH  
Sembdnerstr. 5, Postfach 2523  
82110 Germering  
Tel: Int. + 49 89 - 841 00 - 0  
Fax: Int. + 49 89 - 841 00 25  
Email: info@talema.de

### Ireland

NUVOTEM TEO.  
Crollý  
Co. Donegal  
Tel: Int. + 353 74 - 954 8666  
Fax: Int. + 353 74 - 954 8139  
Email: info@nuvotem.com

### India

TALEMA ELECTRONIC PVT. LTD.  
Opposite the SIDCO Industrial Estate  
Gins Towers  
4/5S.H/1, Omalur Main Road  
Salem - 636 004, Tamil Nadu  
Tel: Int. + 91 427 - 244 1325  
Fax: Int. + 91 427 - 243 0034  
E-mail: talema@talemaindia.com  
Web Site: www.talemaindia.com



nt  
magnetics

nuvotem

Summary  
TOTAL PROGRAM

SECTION 1

- TOROIDAL 50/60Hz TRANSFORMERS

SECTION 2

- TOROIDAL PCB TRANSFORMERS

SECTION 3

- ELEVEN GOOD REASONS TO SELECT TALEMA TOROIDAL TRANSFORMERS

SECTION 4

- CHOKES, INDUCTORS AND TRANSFORMERS FOR POWER APPLICATIONS

SECTION 5

- COMPONENTS FOR TELECOMMUNICATIONS AND DATA LINE TECHNOLOGY

SECTION 6

- CURRENT COMPENSATED EMI NOISE SUPPRESSION CHOKES

SECTION 7

- CURRENT SENSE TRANSFORMERS AND INDUCTORS

SECTION 8

- LAN MAGNETIC COMPONENTS FOR ETHERNET APPLICATIONS

SECTION 9

- T1/E1/CEPT-PR1 - T3/DS3/E3/STS-1 FOR TELECOMMUNICATION PRODUCTS

SECTION 10

- U INTERFACE TRANSFORMERS FOR COMMUNICATIONS AND DATA LINE TECHNOLOGY

SECTION 11

- TRANSFORMERS FOR BROADBAND ACCESS AND FIBRE CHANNEL INTERFACE

