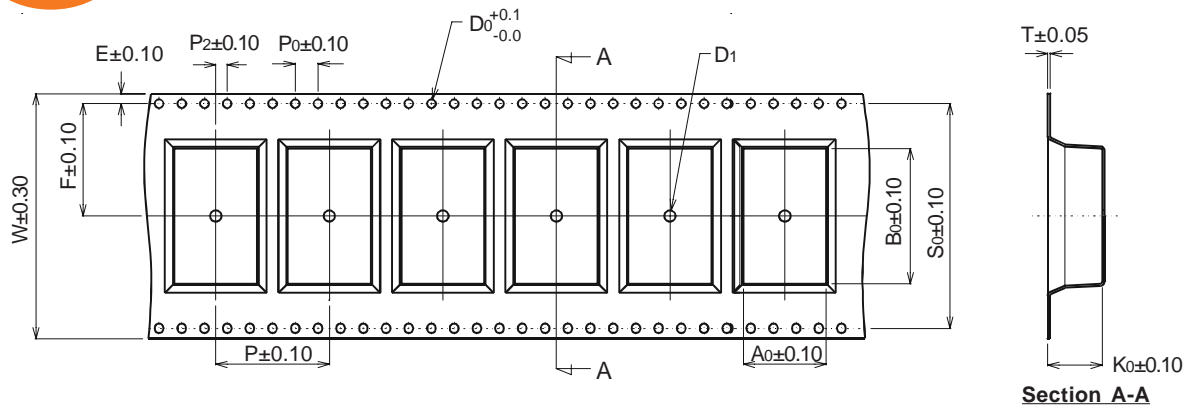




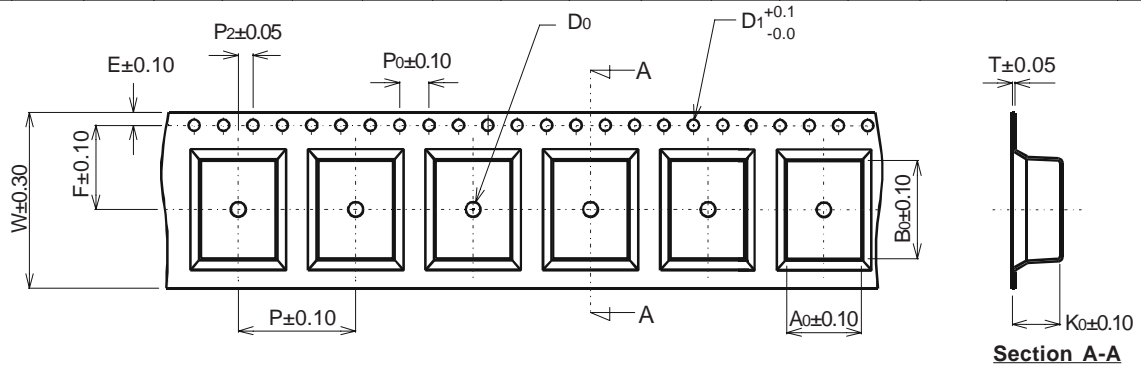
Tape & Reel Packaging and Dimensions

Dimensions for Carrier Tape (Unit : mm)



Section A-A

Type	Dimensions in mm													Reel Size	Quantity (Pcs/Reel)	Quantity (Reel/Cased)
	W	F	E	P ₂	P ₀	D ₀	D ₁	P	A ₀	B ₀	S ₀	T	K ₀			
TMS	32.00	14.20	1.75	2.00	4.00	∅1.5	∅2.00	20.00	13.00	20.30	28.40	0.35	6.60	330X32	500	5/2500
TMCS	32.00	14.20	1.75	2.00	4.00	∅1.5	∅2.00	20.00	13.00	20.30	28.40	0.35	6.60	330X32	500	5/2500
TMQ	44.00	20.20	1.75	2.00	4.00	∅1.5	∅2.00	24.00	16.75	28.40	40.40	0.40	6.70	330x32	500	5/2500
TES	32.00	14.20	1.75	2.00	4.00	∅1.5	∅2.00	20.00	13.00	20.30	28.40	0.35	6.60	330X32	500	5/2500
TED-100	32.00	14.20	1.75	2.00	4.00	∅1.5	∅2.00	24.00	16.40	17.90	28.40	0.40	5.80	330x32	400	5/2000
TED-200	44.00	20.20	1.75	2.00	4.00	∅1.5	∅2.00	24.00	16.75	28.40	40.40	0.40	6.70	330x44	500	5/2500
TEQ	44.00	20.20	1.75	2.00	4.00	∅1.5	∅2.00	24.00	16.75	28.40	40.40	0.40	6.70	330x44	500	5/2500
TFG	32.00	14.20	1.75	2.00	4.00	∅1.5	∅2.00	24.00	16.40	17.90	28.40	0.40	5.80	330x32	400	5/2000
TEXQ	44.00	20.20	1.75	2.00	4.00	∅1.5	∅2.00	24.00	16.75	28.40	40.40	0.40	6.70	330x44	500	5/2500
VO-500	44.00	20.20	1.75	2.00	4.00	∅1.5	∅2.00	20.00	15.30	28.20	40.40	0.40	6.60	330x44	300	5/1500
TGS-100	32.00	14.20	1.75	2.00	4.00	∅1.5	∅2.00	24.00	16.40	17.90	28.40	0.40	5.80	330x32	400	5/2000
TGS-300	44.00	20.20	1.75	2.00	4.00	∅1.5	∅2.00	20.00	15.30	28.20	40.40	0.40	6.60	330x44	300	5/1500



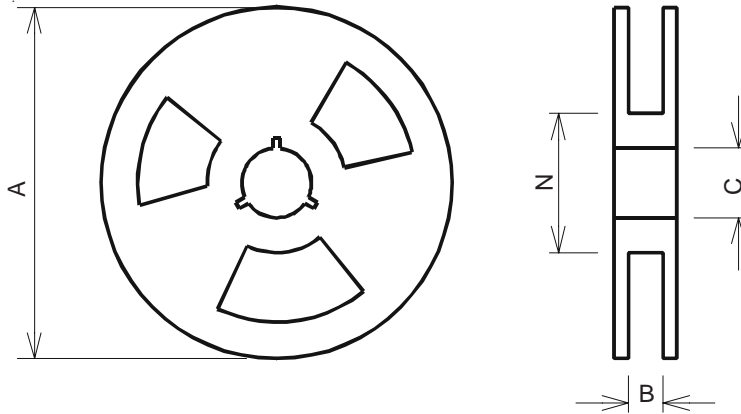
Section A-A

Type	Dimensions in mm												Reel Size	Quantity (Pcs/Reel)	Quantity (Reel/Cased)
	W	F	E	P ₂	P ₀	D ₀	D ₁	P	A ₀	B ₀	T	K ₀			
TMM	24.00	11.50	1.75	2.00	4.00	∅1.5	∅1.50	16.00	10.20	13.35	0.35	6.55	330x24	600	5/3000
TMCM	24.00	11.50	1.75	2.00	4.00	∅1.5	∅1.50	16.00	10.20	13.35	0.35	6.55	330x24	600	5/3000
TAM	24.00	11.50	1.75	2.00	4.00	∅1.5	∅1.50	16.00	10.20	13.35	0.35	6.55	330x24	600	5/3000
TEM	24.00	11.50	1.75	2.00	4.00	∅1.5	∅1.50	16.00	10.20	13.35	0.35	6.55	330x24	600	5/3000
TED-300	24.00	11.50	1.75	2.00	4.00	∅1.5	∅1.50	20.00	15.20	14.05	0.40	6.50	330x24	400	5/2000
VO-100	24.00	11.50	1.75	2.00	4.00	∅1.5	∅1.50	20.00	11.90	8.20	0.40	7.60	330x24	600	5/3000
VO-200	24.00	11.50	1.75	2.00	4.00	∅1.5	∅1.50	16.00	10.20	13.35	0.35	6.55	330x24	600	5/3000
VO-400	24.00	11.50	1.75	2.00	4.00	∅1.5	∅1.50	20.00	15.20	14.05	0.40	6.50	330x24	400	5/2000
FCJ	24.00	11.50	1.75	2.00	4.00	∅1.5	∅1.50	16.00	10.20	13.35	0.35	6.55	330x24	600	5/3000
TCJ	24.00	11.50	1.75	2.00	4.00	∅1.5	∅1.50	16.00	10.20	13.35	0.35	6.55	330x24	600	5/3000
UTM	24.00	11.50	1.75	2.00	4.00	∅1.5	∅1.50	16.00	10.20	13.35	0.35	6.55	330x24	600	5/3000
TGJ	24.00	11.50	1.75	2.00	4.00	∅1.5	∅1.50	20.00	11.90	8.20	0.40	7.60	330x24	600	5/3000
TRJ	24.00	11.50	1.75	2.00	4.00	∅1.5	∅1.50	20.00	11.90	8.20	0.40	7.60	330x24	600	5/3000

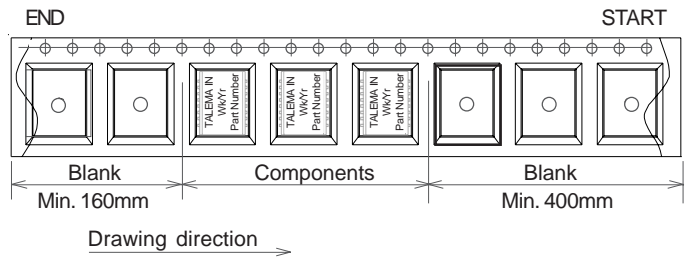


Tape & Reel Packaging and Dimensions

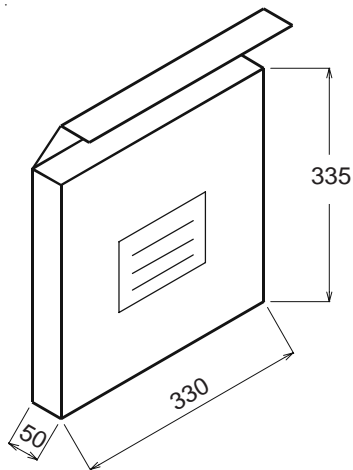
Reel Dimensions (Unit : mm)



Reel Dimensions in mm				
Type	A	B	C	N
330 x 13	330	13	20.2	100
330 x 16	330	16	20.2	100
330 x 24	330	24	20.2	100
330 x 32	330	32	20.2	100
330 x 44	330	44	20.2	100



Inner Carton



Outer Carton

